

PARTS LIST

CONTENTS

- USING PW BOARD & REMOTE CONTROL UNIT 17
- EXPLODED VIEW PARTS LIST 18
- EXPLODED VIEW 18
- PRINTED WIRING BOARD PARTS LIST

[AV21BT7ENS / AV21BT7ENB]

- MAIN PW BOARD ASS'Y 19
- MULTI SOUND PW BOARD ASS'Y 23
- CRT SOCKET PW BOARD ASS'Y 24
- FRONT AV PW BOARD ASS'Y 24
- HEAD PHONE PW BOARD ASS'Y 24

[AV21BT7EPS / AV21BT7EPB]

- MAIN PW BOARD ASS'Y 25
- MULTI SOUND PW BOARD ASS'Y 29

[AV21BT7EES / AV21BT7EEB]

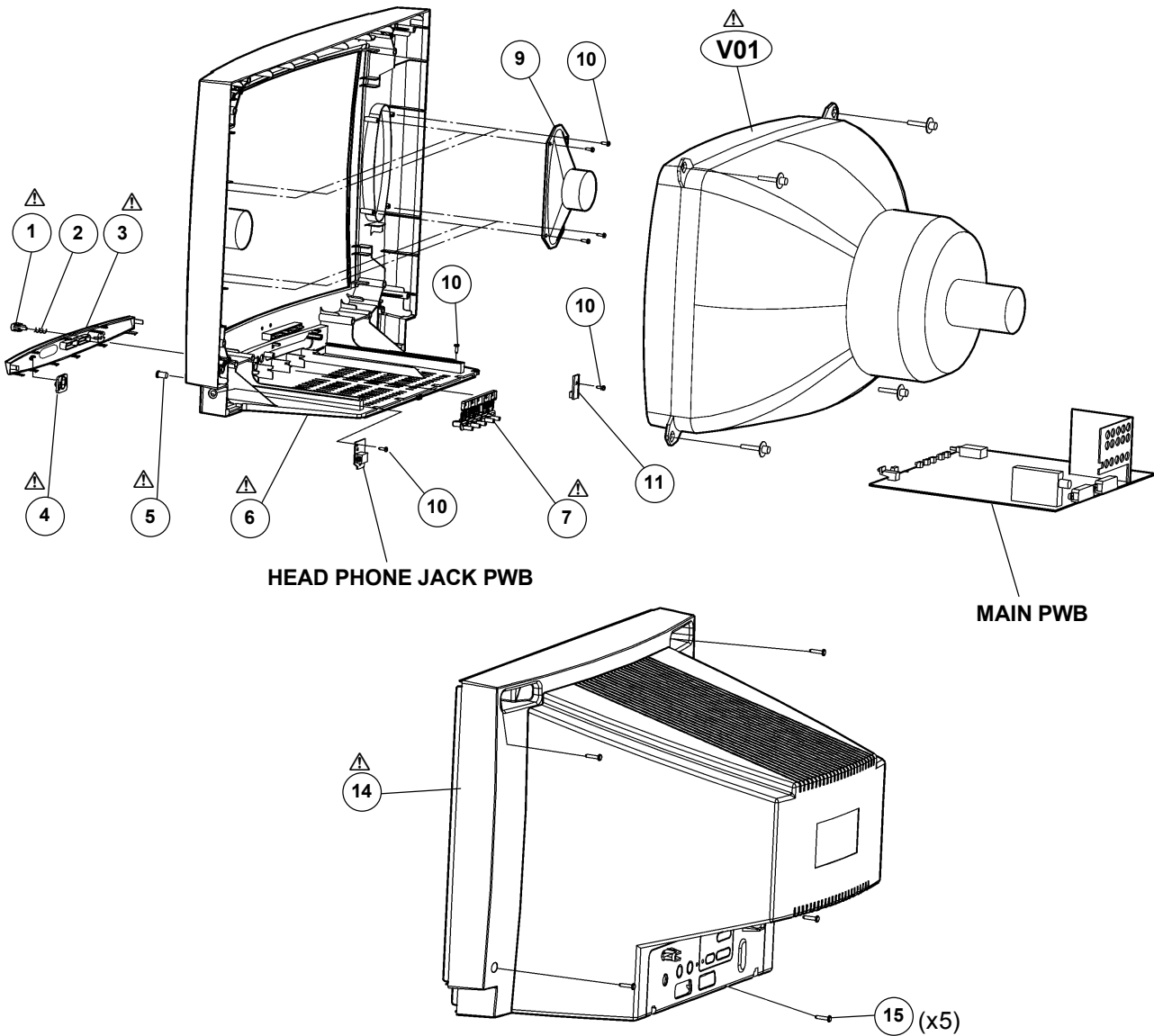
- MAIN PW BOARD ASS'Y 31
- PACKING / PACKING PARTS LIST 36

USING PW BOARD & REMOTE CONTROL UNIT

Model	AV21BT7ENS AV21BT7ENB	AV21BT7EPS AV21BT7EPB	AV21BT7EES AV21BT7EEB
PWB ASS'Y			
MAIN PWB	VE-20073428	VE-20073414	VE-20073418
MULTI SOUND PWB	VE-20078991	VE-20079020	VE-20078991
CRT SOCKET PWB	VE-20074437	←	←
FRONT AV PWB	VE-20076582	←	←
HEAD PHONE JACK PWB	VE-20075217	←	←
REMOTE CONTROL UNIT	RM-C85	←	←

AV21BT7ENS / AV21BT7ENB
 AV21BT7EPS / AV21BT7EPB
 AV21BT7EES / AV21BT7EEB

EXPLODED VIEW



EXPLODED VIEW PARTS LIST

[BLACK model : AV21BT7ENB, AV21BT7EPB, AV21BT7EEB]

[SILVER model : AV21BT7ENS, AV21BT7EPS, AV21BT7EES]

△ Ref.No.	Part No.	Part Name	Description
△ V01	VE-30002749	PICTURE TUBE(ITC)	
△ 1	VE-20056442	POWER KNOB	
△ 2	VE-35003364	SPRING	
△ 3	VE-20056445	FRONT PANEL	
△ 4	VE-20056446	LED LENS	
△ 5	VE-20013808	LENS	
△ 6	VE-20073594	FRONT CABINET	
△ 7	VE-20056439	CONTROL KNOB	
9	VE-30001946	SPEAKER	(X2)
10	VE-35000224	SCREW	(X11)
11	VE-30009143	PWB TACT	
△ 14	VE-20066509	REAR COVER	
15	VE-35000216	SCREW	(X5)
--	VE-40009153	JVC MARK	

△ Ref.No.	Part No.	Part Name	Description
△ V01	VE-30002749	PICTURE TUBE(ITC)	
△ 1	VE-20056442	POWER KNOB	
△ 2	VE-35003364	SPRING	
△ 3	VE-20056445	FRONT PANEL	
△ 4	VE-20056446	LED LENS	
△ 5	VE-20013808	LENS	
△ 6	VE-20068238	FRONT CABINET	
△ 7	VE-20056439	CONTROL KNOB	
9	VE-30001946	SPEAKER	(X2)
10	VE-35000224	SCREW	(X11)
11	VE-30009143	PWB TACT	
△ 14	VE-20079492	REAR COVER	
15	VE-35000216	SCREW	(X5)
--	VE-40009151	JVC MARK	

PRINTED WIRING BOARD PARTS LIST

[AV21BT7ENS / AV21BT7ENB]

MAIN P.W. BOARD ASS'Y (VE-20073428)

△ Symbol No.	Part No.	Part Name	Description	△ Symbol No.	Part No.	Part Name	Description
RESISTOR				RESISTOR			
R001	VE-30000631	SMD RES.	1/10W 2.7K J	R400	VE-30000717	SMD RES.	1/10W 470R J
R002	VE-30000631	SMD RES.	1/10W 2.7K J	R402	VE-30000706	CF RES.	1/4W 47R J
R010	VE-30000797	SMD RES.	1/10W 75R J	R403	VE-30000659	SMD RES.	1/10W 330R J
R011	VE-30000480	SMD RES.	1/10W 100K J	R404	VE-30000688	SMD RES.	1/10W 390R J
R012	VE-30000480	SMD RES.	1/10W 100K J	R405	VE-30000469	SMD RES.	1/10W 1K J
R014	VE-30000477	CF RES.	1/4W 100K J	R407	VE-30000459	CF RES.	1/4W 100R J
R015	VE-30000480	SMD RES.	1/10W 100K J	R418	VE-30000735	SMD RES.	1/10W 4.7R J
R040	VE-30000797	SMD RES.	1/10W 75R J	R419	VE-30000710	SMD RES.	1/10W 47R J
R041	VE-30000797	SMD RES.	1/10W 75R J	R420	VE-30000593	SMD RES.	1/10W 2.2K J
R044	VE-30000459	CF RES.	1/4W 100R J	R421	VE-30000489	SMD RES.	1/10W 1.2K J
R045	VE-30000524	SMD RES.	1/10W 150R J	R422	VE-30000558	SMD RES.	1/10W 180R J
R049	VE-30000717	SMD RES.	1/10W 470R J	R426	VE-30000659	SMD RES.	1/10W 330R J
R050	VE-30000464	SMD RES.	1/10W 100R J	R428	VE-30000650	CF RES.	1/4W 33R J
R051	VE-30000464	SMD RES.	1/10W 100R J	R429	VE-30000524	SMD RES.	1/10W 150R J
R065	VE-30000797	SMD RES.	1/10W 75R J	R431	VE-30000459	CF RES.	1/4W 100R J
R066	VE-30000774	SMD RES.	1/10W 680R J	R432	VE-30000459	CF RES.	1/4W 100R J
R067	VE-30000469	SMD RES.	1/10W 1K J	R433	VE-30000475	SMD RES.	1/10W 10K J
R068	VE-30000774	SMD RES.	1/10W 680R J	R437	VE-30000469	SMD RES.	1/10W 1K J
R069	VE-30000469	SMD RES.	1/10W 1K J	R438	VE-30000489	SMD RES.	1/10W 1.2K J
R070	VE-30000588	SMD RES.	1/10W 220R J	R439	VE-30000489	SMD RES.	1/10W 1.2K J
R071	VE-30000588	SMD RES.	1/10W 220R J	R440	VE-30000489	SMD RES.	1/10W 1.2K J
R072	VE-30000588	SMD RES.	1/10W 220R J	R446	VE-30000480	SMD RES.	1/10W 100R J
R073	VE-30000797	SMD RES.	1/10W 75R J	R447	VE-30000464	SMD RES.	1/10W 100R J
R075	VE-30000653	SMD RES.	1/10W 33R J	R448	VE-30000466	CF RES.	1/4W 1K J
R078	VE-30000774	SMD RES.	1/10W 680R J	R449	VE-30000489	SMD RES.	1/10W 1R J
R079	VE-30000469	SMD RES.	1/10W 1K J	R450	VE-30000631	SMD RES.	1/10W 2.7K J
R080	VE-30000774	SMD RES.	1/10W 680R J	R451	VE-30000633	CF RES.	1/4W 27K J
R081	VE-30000469	SMD RES.	1/10W 1K J	R454	VE-30000534	SMD RES.	1/10W 15K J
R082	VE-30000469	SMD RES.	1/10W 1K J	R456	VE-30000550	SMD RES.	1/10W 160K J
R083	VE-30000653	SMD RES.	1/10W 33R J	R457	VE-30000606	SMD RES.	1/10W 2.2K J
R084	VE-30000710	SMD RES.	1/10W 47R J	R458	VE-30000732	SMD RES.	1/10W 470K J
R094	VE-30000475	SMD RES.	1/10W 10K J	R459	VE-30000697	SMD RES.	1/10W 39K G
R095	VE-30000475	SMD RES.	1/10W 10K J	R460	VE-30000770	CF RES.	1/4W 680R J
R096	VE-30000475	SMD RES.	1/10W 10K J	R465	VE-30006658	SMD RES.	1/10W 82R J
R097	VE-30000529	SMD RES.	1/10W 1.5K J	R486	VE-30000721	SMD RES.	1/10W 4.7K J
R098	VE-30000475	SMD RES.	1/10W 10K J	R488	VE-30000471	CF RES.	1/4W 10K J
R099	VE-30000475	SMD RES.	1/10W 10K J	R492	VE-30000588	SMD RES.	1/10W 220R J
R100	VE-30000727	SMD RES.	1/10W 47K J	R493	VE-30000588	SMD RES.	1/10W 220R J
R101	VE-30000471	CF RES.	1/4W 10K J	R494	VE-30000526	CF RES.	1/4W 1.5K J
R102	VE-30000747	SMD RES.	1/10W 560R J	R498	VE-30000563	SMD RES.	1/10W 1.8K J
R103	VE-30000710	SMD RES.	1/10W 47R J	R500	VE-30000469	SMD RES.	1/10W 1K J
R104	VE-30000457	SMD RES.	1/10W 10R J	R502	VE-30000469	SMD RES.	1/10W 1K J
R105	VE-30000457	SMD RES.	1/10W 10R J	R503	VE-30000469	SMD RES.	1/10W 1K J
R106	VE-30000567	SMD RES.	1/10W 18K J	R507	VE-30000469	SMD RES.	1/10W 1K J
R108	VE-30000564	CF RES.	1/4W 18K J	R512	VE-30000727	SMD RES.	1/10W 47K J
R200	VE-30000503	SMD RES.	1/10W 12K J	R513	VE-30000727	SMD RES.	1/10W 47K J
R201	VE-30000723	CF RES.	1/4W 47K J	R514	VE-30000727	SMD RES.	1/10W 47K J
R202	VE-30000459	CF RES.	1/4W 100R J	R515	VE-30000727	SMD RES.	1/10W 47K J
R203	VE-30000471	CF RES.	1/4W 10K J	R516	VE-30000464	SMD RES.	1/10W 100R J
R208	VE-30000459	CF RES.	1/4W 100R J	R517	VE-30000464	SMD RES.	1/10W 100R J
R209	VE-30000459	CF RES.	1/4W 100R J	R523	VE-30000475	SMD RES.	1/10W 10K J
R213	VE-30000597	SMD RES.	1/10W 22K J	R524	VE-30000475	SMD RES.	1/10W 10K J
R300	VE-30000529	SMD RES.	1/10W 1.5K J	R527	VE-30000721	SMD RES.	1/10W 4.7K J
R303	VE-30000469	SMD RES.	1/10W 1K J	R528	VE-30000560	CF RES.	1/4W 1.8K J
R304	VE-30000717	SMD RES.	1/10W 470R J	R529	VE-30000560	CF RES.	1/4W 1.8K J
R305	VE-30000717	SMD RES.	1/10W 470R J	R530	VE-30000560	CF RES.	1/4W 1.8K J
R306	VE-30000464	SMD RES.	1/10W 100R J	R532	VE-30000475	SMD RES.	1/10W 10K J
R307	VE-30000464	SMD RES.	1/10W 100R J	R533	VE-30000721	SMD RES.	1/10W 4.7K J
R308	VE-30000464	SMD RES.	1/10W 100R J	R535	VE-30000721	SMD RES.	1/10W 4.7K J
R309	VE-30000660	CF RES.	1/4W 3.3K J	R537	VE-30000593	SMD RES.	1/10W 2.2K J
R310	VE-30000660	CF RES.	1/4W 3.3K J	R538	VE-30000475	SMD RES.	1/10W 10K J
R311	VE-30000531	CF RES.	1/4W 15K J	R539	VE-30000475	SMD RES.	1/10W 10K J
R313	VE-30000534	SMD RES.	1/10W 15K J	R540	VE-30000818	SMD RES.	1/10W 8.2K J
R314	VE-30000534	SMD RES.	1/10W 15K J	R541	VE-30000721	SMD RES.	1/10W 4.7K J
R315	VE-30000534	SMD RES.	1/10W 15K J	R542	VE-30000721	SMD RES.	1/10W 4.7K J
R341	VE-30000524	SMD RES.	1/10W 150R J	R543	VE-30000717	SMD RES.	1/10W 470R J
R343	VE-30001248	FUSE RES.	1/4W 4.7R J	R548	VE-30000721	SMD RES.	1/10W 4.7K J
R359	VE-30000464	SMD RES.	1/10W 100R J	R549	VE-30000531	CF RES.	1/4W 15K J
R360	VE-30000464	SMD RES.	1/10W 100R J	R550	VE-30000721	SMD RES.	1/10W 4.7K J
R361	VE-30000464	SMD RES.	1/10W 100R J	R551	VE-30000475	SMD RES.	1/10W 10K J
R364	VE-30000464	SMD RES.	1/10W 100R J	R552	VE-30000593	SMD RES.	1/10W 2.2K J
R378	VE-30000471	CF RES.	1/4W 10K J	R554	VE-30000815	CF RES.	1/4W 8.2K J
R379	VE-30000475	SMD RES.	1/10W 10K J	R556	VE-30000567	SMD RES.	1/10W 18K J
R399	VE-30000717	SMD RES.	1/10W 470R J	R559	VE-30000588	SMD RES.	1/10W 220R J

[AV21BT7ENS / AV21BT7ENB]

△ Symbol No.	Part No.	Part Name	Description
RESISTOR			
R560	VE-30000469	SMD RES.	1/10W 1K J
R561	VE-30000692	SMD RES.	1/10W 3.9K J
R562	VE-30000471	CF RES.	1/4W 10K J
R563	VE-30000471	CF RES.	1/4W 10K J
R564	VE-30000475	SMD RES.	1/10W 10K J
R565	VE-30000475	SMD RES.	1/10W 10K J
R566	VE-30010167	SMD RES.	1/10W 56R J
R568	VE-30000475	SMD RES.	1/10W 10K J
R569	VE-30000459	CF RES.	1/4W 100R J
R570	VE-30000531	CF RES.	1/4W 15K J
R571	VE-30000466	CF RES.	1/4W 1K J
R572	VE-30000475	SMD RES.	1/10W 10K J
R573	VE-30000721	SMD RES.	1/10W 4.7K J
R574	VE-30000692	SMD RES.	1/10W 3.9K J
R578	VE-30000475	SMD RES.	1/10W 10K J
R579	VE-30000721	SMD RES.	1/10W 4.7K J
R580	VE-30000464	SMD RES.	1/10W 100R J
R581	VE-30000588	SMD RES.	1/10W 220R J
R582	VE-30000464	SMD RES.	1/10W 100R J
R583	VE-30000475	SMD RES.	1/10W 10K J
R584	VE-30000563	SMD RES.	1/10W 1.8K J
R586	VE-30000480	SMD RES.	1/10W 100K J
R587	VE-30000712	CF RES.	1/4W 470R J
R590	VE-30000721	SMD RES.	1/10W 4.7K J
R594	VE-30000475	SMD RES.	1/10W 10K J
R595	VE-30000475	SMD RES.	1/10W 10K J
R596	VE-30000475	SMD RES.	1/10W 10K J
R601	VE-30000471	CF RES.	1/4W 10K J
R602	VE-30000464	SMD RES.	1/10W 100R J
R605	VE-30000466	CF RES.	1/4W 1K J
R610	VE-30001125	MO RES.	2W 2.2K J
△ R611	VE-30001215	FUSE RES.	1W 1R J
R613	VE-30000837	CF RES.	1/4W 9.1K J
R614	VE-30000815	CF RES.	1/4W 8.2K J
R615	VE-30000837	CF RES.	1/4W 9.1K J
R617	VE-30000599	CF RES.	1/4W 220K J
R618	VE-30000464	SMD RES.	1/10W 100R J
R619	VE-30000815	CF RES.	1/4W 8.2K J
R620	VE-30001082	MO RES.	1/2W 1K J
R621	VE-30000459	CF RES.	1/4W 100R J
R626	VE-30000466	CF RES.	1/4W 1K J
△ R628	VE-30001230	FUSE RES.	1/2W 27R J
R630	VE-30001082	MO RES.	1/2W 1K J
R700	VE-30000466	CF RES.	1/4W 1K J
R702	VE-30000452	CF RES.	1/4W 10R J
R703	VE-30000911	MF RES.	1/4W 1.8R J
△ R704	VE-30001251	FUSE RES.	1/2W 56R J
R705	VE-30000580	CF RES.	1/4W 22R J
R706	VE-30000949	MF RES.	1/4W 3K G
R707	VE-30000655	CF RES.	1/4W 330R J
R708	VE-30000469	SMD RES.	1/10W 1K J
R709	VE-30000475	SMD RES.	1/10W 10K J
R710	VE-30000718	CF RES.	1/4W 4.7K J
R711	VE-30000500	CF RES.	1/4W 12K J
R714	VE-30000459	CF RES.	1/4W 100R J
R715	VE-30000459	CF RES.	1/4W 100R J
R716	VE-30000466	CF RES.	1/4W 1K J
R717	VE-30000712	CF RES.	1/4W 470R J
R805	VE-30000633	CF RES.	1/4W 27K J
R806	VE-30001129	MO RES.	3W 22K J
R807	VE-30000466	CF RES.	1/4W 1K J
R808	VE-30007029	SMD RES.	1/10W 9.1K J
R809	VE-30000469	SMD RES.	1/10W 1K J
R810	VE-30000597	SMD RES.	1/10W 22K J
R811	VE-30000597	SMD RES.	1/10W 22K J
R812	VE-30000519	CF RES.	1/4W 150R J
R813	VE-30000475	SMD RES.	1/10W 10K J
R814	VE-30000706	CF RES.	1/4W 47R J
R816	VE-30000540	CF RES.	1/2W 1.5M J (400V)
R817	VE-30001260	WW RES.	5W 2.2R J RAD.
R818	VE-30000466	CF RES.	1/4W 1K J
R821	VE-30000602	SMD RES.	1/10W 220K J
R822	VE-30001156	MO RES.	5W 33K J
R823	VE-30001037	MF RES.	1/4W 99K F
R824	VE-30000925	MF RES.	1/4W 2.2K F
R828	VE-30007759	CF RES.	1W 47K J
R829	VE-30000469	SMD RES.	1/10W 1K J

△ Symbol No.	Part No.	Part Name	Description
RESISTOR			
R831	VE-30000471	CF RES.	1/4W 10K J
R832	VE-30000721	SMD RES.	1/10W 4.7K J
R833	VE-30000710	SMD RES.	1/10W 47R J
R834	VE-30000818	SMD RES.	1/10W 8.2K J
R835	VE-30000580	CF RES.	1/4W 22R J
R836	VE-30000706	CF RES.	1/4W 47R J
R844	VE-30000471	CF RES.	1/4W 10K J
△ R845	VE-30001257	HG RES.	1/2W 4.7M J
R849	VE-30000534	SMD RES.	1/10W 15K J
R850	VE-30000569	CF RES.	1/4W 180K J
R858	VE-30000712	CF RES.	1/4W 470R J
R868	VE-30000810	CF RES.	1/4W 820R J
R869	VE-30000810	CF RES.	1/4W 820R J
R870	VE-30001159	MO RES.	1W 0.33R J
R871	VE-30000471	CF RES.	1/4W 10K J
R872	VE-30007786	SMD RES.	1/10W 2.55K F
R873	VE-30012852	SMD RES.	1/10W 3.9K F
R879	VE-30000718	CF RES.	1/4W 4.7K J
R885	VE-30000475	SMD RES.	1/10W 10K J
R886	VE-30000475	SMD RES.	1/10W 10K J
R888	VE-30000503	SMD RES.	1/10W 12K J
R890	VE-30001089	MO RES.	2W 1R J
R891	VE-30000466	CF RES.	1/4W 1K J
R892	VE-30000471	CF RES.	1/4W 10K J
R893	VE-30000477	CF RES.	1/4W 100K J
R894	VE-30000660	CF RES.	1/4W 3.3K J
R895	VE-30000638	CF RES.	1/4W 270K J
CAPACITOR			
C01	VE-30000332	SMD CAP.	4.7NF 50V K
C010	VE-30000294	SMD CAP.	100NF 50V K
C011	VE-30000294	SMD CAP.	100NF 50V K
C012	VE-30000294	SMD CAP.	100NF 50V K
C013	VE-30000375	EL CAP.	220UF 16V M
C02	VE-30000332	SMD CAP.	4.7NF 50V K
C028	VE-30000352	EL CAP.	100UF 16V M
C029	VE-30000294	SMD CAP.	100NF 50V K
C03	VE-30000332	SMD CAP.	4.7NF 50V K
C030	VE-30000294	SMD CAP.	100NF 50V K
C031	VE-30000294	SMD CAP.	100NF 50V K
C032	VE-30000294	SMD CAP.	100NF 50V K
C04	VE-30000332	SMD CAP.	4.7NF 50V K
C051	VE-30000315	SMD CAP.	220NF 25V Z
C052	VE-30000294	SMD CAP.	100NF 50V K
C053	VE-30000315	SMD CAP.	220NF 25V Z
C054	VE-30000315	SMD CAP.	220NF 25V Z
C059	VE-30000300	SMD CAP.	1.5NF 50V K
C060	VE-30000300	SMD CAP.	1.5NF 50V K
C061	VE-30000242	SMD CAP.	330PF 50V J
C062	VE-30000242	SMD CAP.	330PF 50V J
C064	VE-30000300	SMD CAP.	1.5NF 50V K
C065	VE-30000300	SMD CAP.	1.5NF 50V K
C066	VE-30000242	SMD CAP.	330PF 50V J
C067	VE-30000242	SMD CAP.	330PF 50V J
C068	VE-30000345	EL CAP.	10UF 50V M
C071	VE-30000315	SMD CAP.	220NF 25V Z
C072	VE-30000294	SMD CAP.	100NF 50V K
C073	VE-30000294	SMD CAP.	100NF 50V K
C095	VE-30000289	SMD CAP.	10NF 50V K R
C097	VE-30000189	SMD CAP.	100PF 50V J
C098	VE-30000224	SMD CAP.	220PF 50V J
C099	VE-30000189	SMD CAP.	100PF 50V J
C101	VE-30000336	SMD CAP.	5.6NF 50V K
C102	VE-30000345	EL CAP.	10UF 50V M
C107	VE-30000336	SMD CAP.	5.6NF 50V K
C108	VE-30000312	SMD CAP.	22NF 50V K
C109	VE-30000332	SMD CAP.	4.7NF 50V K
C110	VE-30000312	SMD CAP.	22NF 50V K
C111	VE-30000332	SMD CAP.	4.7NF 50V K
C112	VE-30000109	MKT CAP.	470NF 63V J
C113	VE-30000109	MKT CAP.	470NF 63V J
C116	VE-30000082	MKT CAP.	15NF 63V J
C117	VE-30000082	MKT CAP.	15NF 63V J
C201	VE-30000352	EL CAP.	100UF 16V M
C203	VE-30000345	EL CAP.	10UF 50V M
C204	VE-30000345	EL CAP.	10UF 50V M

[AV21BT7ENS / AV21BT7ENB]

△ Symbol No.	Part No.	Part Name	Description	△ Symbol No.	Part No.	Part Name	Description
CAPACITOR				CAPACITOR			
C211	VE-30000294	SMD CAP.	100NF 50V K	C416	VE-30000312	SMD CAP.	22NF 50V K
C212	VE-30000190	CER CAP.	100PF 50V J CH	C417	VE-30000312	SMD CAP.	22NF 50V K
C279	VE-30000263	SMD CAP.	56PF 50V J CH	C418	VE-30000312	SMD CAP.	22NF 50V K
C301	VE-30000216	SMD CAP.	1.8PF 50V J CH	C419	VE-30000315	SMD CAP.	220NF 25V Z
C302	VE-30000216	SMD CAP.	1.8PF 50V J CH	C421	VE-30000220	SMD CAP.	22PF 50V J
C304	VE-30000289	SMD CAP.	10NF 50V K R	C422	VE-30000220	SMD CAP.	22PF 50V J
C306	VE-30000345	EL CAP.	10UF 50V M	C423	VE-30000322	SMD CAP.	3.3NF 50V K
C307	VE-30000294	SMD CAP.	100NF 50V K	C424	VE-30000294	SMD CAP.	100NF 50V K
C308	VE-30000074	MKT CAP.	100NF 63V J	C425	VE-30000312	SMD CAP.	22NF 50V K
C309	VE-30000345	EL CAP.	10UF 50V M	C426	VE-30000353	EL CAP.	100UF 25V M
C316	VE-30000284	SMD CAP.	1NF 50V K R	C427	VE-30000294	SMD CAP.	100NF 50V K
C317	VE-30000284	SMD CAP.	1NF 50V K R	C428	VE-30000345	EL CAP.	10UF 50V M
C318	VE-30000074	MKT CAP.	100NF 63V J	C430	VE-30000309	SMD CAP.	2.2NF 50V K R
C319	VE-30000393	EL CAP.	3.3UF 50V M	C431	VE-30000362	EL CAP.	1UF 50V M
C320	VE-30000294	SMD CAP.	100NF 50V K	C432	VE-30000413	EL CAP.	4.7UF 50V M
C321	VE-30000345	EL CAP.	10UF 50V M	C433	VE-30000284	SMD CAP.	1NF 50V K R
C322	VE-30000345	EL CAP.	10UF 50V M	C434	VE-30000284	SMD CAP.	1NF 50V K R
C323	VE-30000345	EL CAP.	10UF 50V M	C435	VE-30000074	MKT CAP.	100NF 63V J
C326	VE-30000371	EL CAP.	22UF 50V M	C436	VE-30000074	MKT CAP.	100NF 63V J
C327	VE-30000371	EL CAP.	22UF 50V M	C437	VE-30000362	EL CAP.	1UF 50V M
C328	VE-30000284	SMD CAP.	1NF 50V K R	C438	VE-30000312	SMD CAP.	22NF 50V K
C329	VE-30000284	SMD CAP.	1NF 50V K R	C439	VE-30000284	SMD CAP.	1NF 50V K R
C330	VE-30000284	SMD CAP.	1NF 50V K R	C440	VE-30000345	EL CAP.	10UF 50V M
C331	VE-30000284	SMD CAP.	1NF 50V K R	C446	VE-30000252	SMD CAP.	47PF 50V J
C332	VE-30000417	EL CAP.	6.8UF 50V M	C447	VE-30000252	SMD CAP.	47PF 50V J
C333	VE-30000294	SMD CAP.	100NF 50V K	C448	VE-30000189	SMD CAP.	100PF 50V J
C334	VE-30000345	EL CAP.	10UF 50V M	C450	VE-30000294	SMD CAP.	100NF 50V K
C335	VE-30000252	SMD CAP.	47PF 50V J	C459	VE-30000332	SMD CAP.	4.7NF 50V K
C336	VE-30000252	SMD CAP.	47PF 50V J	C465	VE-30000300	SMD CAP.	1.5NF 50V K
C338	VE-30000371	EL CAP.	22UF 50V M	C490	VE-30000284	SMD CAP.	1NF 50V K R
C339	VE-30000256	SMD CAP.	470PF 50V J	C497	VE-30000300	SMD CAP.	1.5NF 50V K
C340	VE-30000100	MKT CAP.	330NF 63V J	C498	VE-30000189	SMD CAP.	100PF 50V J
C341	VE-30000256	SMD CAP.	470PF 50V J	C499	VE-30000300	SMD CAP.	1.5NF 50V K
C342	VE-30000100	MKT CAP.	330NF 63V J	C505	VE-30000294	SMD CAP.	100NF 50V K
C343	VE-30000224	SMD CAP.	220PF 50V J	C513	VE-30000294	SMD CAP.	100NF 50V K
C344	VE-30000100	MKT CAP.	330NF 63V J	C514	VE-30000345	EL CAP.	10UF 50V M
C346	VE-30000224	SMD CAP.	220PF 50V J	C516	VE-30000371	EL CAP.	22UF 50V M
C347	VE-30000371	EL CAP.	22UF 50V M	C517	VE-30000352	EL CAP.	100UF 16V M
C348	VE-30000224	SMD CAP.	220PF 50V J	C521	VE-30000109	MKT CAP.	470NF 63V J
C349	VE-30000100	MKT CAP.	330NF 63V J	C524	VE-30000237	SMD CAP.	33PF 50V J
C350	VE-30000224	SMD CAP.	220PF 50V J	C525	VE-30000237	SMD CAP.	33PF 50V J
C351	VE-30000100	MKT CAP.	330NF 63V J	C526	VE-30000294	SMD CAP.	100NF 50V K
C352	VE-30000224	SMD CAP.	220PF 50V J	C530	VE-30000294	SMD CAP.	100NF 50V K
C353	VE-30000100	MKT CAP.	330NF 63V J	C531	VE-30000294	SMD CAP.	100NF 50V K
C355	VE-30000284	SMD CAP.	1NF 50V K R	C532	VE-30000294	SMD CAP.	100NF 50V K
C357	VE-30000294	SMD CAP.	100NF 50V K	C533	VE-30000294	SMD CAP.	100NF 50V K
C358	VE-30000345	EL CAP.	10UF 50V M	C537	VE-30000294	SMD CAP.	100NF 50V K
C364	VE-30000284	SMD CAP.	1NF 50V K R	C538	VE-30000294	SMD CAP.	100NF 50V K
C365	VE-30000384	EL CAP.	2.2UF 50V M	C570	VE-30000371	EL CAP.	22UF 50V M
C366	VE-30000294	SMD CAP.	100NF 50V K	C571	VE-30000371	EL CAP.	22UF 50V M
C368	VE-30000294	SMD CAP.	100NF 50V K	C572	VE-30000371	EL CAP.	22UF 50V M
C369	VE-30000294	SMD CAP.	100NF 50V K	C573	VE-30000371	EL CAP.	22UF 50V M
C370	VE-30000384	EL CAP.	2.2UF 50V M	C576	VE-30000201	SMD CAP.	15PF 50V J
C371	VE-30000109	MKT CAP.	470NF 63V J	C577	VE-30000201	SMD CAP.	15PF 50V J
C373	VE-30000371	EL CAP.	22UF 50V M	C580	VE-30000387	EL CAP.	33UF 50V M
C374	VE-30000294	SMD CAP.	100NF 50V K	C583	VE-30000294	SMD CAP.	100NF 50V K
C379	VE-30000294	SMD CAP.	100NF 50V K	C590	VE-30000294	SMD CAP.	100NF 50V K
C385	VE-30000294	SMD CAP.	100NF 50V K	C596	VE-30000289	SMD CAP.	10NF 50V K R
C400	VE-30000294	SMD CAP.	100NF 50V K	C597	VE-30000289	SMD CAP.	10NF 50V K R
C401	VE-30000371	EL CAP.	22UF 50V M	C598	VE-30000289	SMD CAP.	10NF 50V K R
C402	VE-30000345	EL CAP.	10UF 50V M	C599	VE-30000289	SMD CAP.	10NF 50V K R
C403	VE-30000074	MKT CAP.	100NF 63V J	C601	VE-30000355	EL CAP.	47NF 50V K
C403	VE-30000294	SMD CAP.	100NF 50V K	C603	VE-30000309	SMD CAP.	2.2NF 50V K R
C404	VE-30000284	SMD CAP.	1NF 50V K R	C604	VE-30000107	MKT CAP.	47NF 250V J
C405	VE-30000294	SMD CAP.	100NF 50V K	C605	VE-30000075	MKT CAP.	100NF 250V K (DC)
C405	VE-30000345	EL CAP.	10UF 50V M	C606	VE-30000406	EL CAP.	47UF 250V M (HR)
C406	VE-30000284	SMD CAP.	1NF 50V K R	C607	VE-30000407	EL CAP.	470UF 16V M
C406	VE-30000313	CER CAP.	22NF 50V Z F	C608	VE-30000325	SMD CAP.	33NF 50V K
C407	VE-30000284	SMD CAP.	1NF 50V K R	C610	VE-30000131	MKP CAP.	100NF 250V J
C407	VE-30000384	EL CAP.	2.2UF 50V M	C611	VE-30014422	MKP CAP.	7.2NF 1.6KV 3.5%
C408	VE-30000283	CER CAP.	1NF 50V K B	C612	VE-30000356	EL CAP.	100UF 63V M
C409	VE-30000334	SMD CAP.	47NF 50V K	C617	VE-30000156	MKP CAP.	430NF 250V J
C410	VE-30000345	EL CAP.	10UF 50V M	C618	VE-30000394	EL CAP.	3.3UF 160V M
C411	VE-30000334	SMD CAP.	47NF 50V K	C625	VE-30000315	SMD CAP.	220NF 25V Z
C412	VE-30000312	SMD CAP.	22NF 50V K	C632	VE-30016086	EL CAP.	1000UF 25V 105°
C413	VE-30000375	EL CAP.	220UF 16V M	C650	VE-30000280	SMD CAP.	820PF 50V J
C415	VE-30000092	MKT CAP.	220NF 63V J	C660	VE-30009208	CER CAP.	470PF 1KV K (PULSE)

[AV21BT7ENS / AV21BT7ENB]

△ Symbol No.	Part No.	Part Name	Description
CAPACITOR			
C661	VE-30009208	CER CAP.	470PF 1KV K (PULSE)
C700	VE-30000190	CER CAP.	100PF 50V J CH
C702	VE-30000356	EL CAP.	100UF 63V M
C704	VE-30016085	EL CAP.	10UF 63V 105°
C705	VE-30000071	MKT CAP.	10NF 63V J
C706	VE-30000092	MKT CAP.	220NF 63V J
C707	VE-30000090	MKT CAP.	22NF 100V J
C708	VE-30000284	SMD CAP.	1NF 50V K R
C709	VE-30000294	SMD CAP.	100NF 50V K
C715	VE-30000284	SMD CAP.	1NF 50V K R
△ C801	VE-30000084	MKT CAP.	150NF 275V M AC P=15
△ C802	VE-30000084	MKT CAP.	150NF 275V M AC P=15
C803	VE-30000189	SMD CAP.	100PF 50V J
C804	VE-30000420	EL CAP.	150UF 400V M
C806	VE-30000342	CER CAP.	820PF 50V K B
C807	VE-30000074	MKT CAP.	100NF 63V J
C808	VE-30000284	SMD CAP.	1NF 50V K R
C809	VE-30000284	SMD CAP.	1NF 50V K R
C811	VE-30000161	MKT CAP.	47NF 630V J
C813	VE-30000411	EL CAP.	4700UF 16V M
C814	VE-30000294	SMD CAP.	100NF 50V K
C816	VE-30000295	CER CAP.	100NF 50V Z F
C817	VE-30000359	EL CAP.	1000UF 16V M
C819	VE-30000295	CER CAP.	100NF 50V Z F
C821	VE-30013533	CER CAP.	100PF 1KV K (PULSE)
C822	VE-30000295	CER CAP.	100NF 50V Z F
C823	VE-30000383	EL CAP.	2200UF 25V M
C824	VE-30013533	CER CAP.	100PF 1KV K (PULSE)
C825	VE-30000295	CER CAP.	100NF 50V Z F
C826	VE-30000383	EL CAP.	2200UF 25V M
C827	VE-30013533	CER CAP.	100PF 1KV K (PULSE)
C828	VE-30000359	EL CAP.	1000UF 16V M
C829	VE-30000406	EL CAP.	47UF 250V M (HR)
C830	VE-30000295	CER CAP.	100NF 50V Z F
C831	VE-30000198	CER CAP.	120PF 500V J SL
C832	VE-30000294	SMD CAP.	100NF 50V K
C833	VE-30007308	CER CAP.	220PF 1KV K (PULSE)
C835	VE-30007308	CER CAP.	220PF 1KV K (PULSE)
C845	VE-30000375	EL CAP.	220UF 16V M
C846	VE-30000433	CER CAP.	1NF 1KV M B
C847	VE-30000375	EL CAP.	220UF 16V M
C848	VE-30000353	EL CAP.	100UF 25V M
C850	VE-30000433	CER CAP.	1NF 1KV M B
C851	VE-30000433	CER CAP.	1NF 1KV M B
C852	VE-30000433	CER CAP.	1NF 1KV M B
C853	VE-30000289	SMD CAP.	10NF 50V K R
C854	VE-30008805	MKT CAP.	39NF 63V J
△ C855	VE-30000284	SMD CAP.	1NF 50V K R
△ C860	VE-30000440	CER CAP.	2.2NF 4KV M
C865	VE-30000440	CER CAP.	2.2NF 4KV M
C890	VE-30000396	EL CAP.	47UF 16V M
C891	VE-30000335	CER CAP.	47NF 50V Z F
C892	VE-30000295	CER CAP.	100NF 50V Z F
COIL			
L001	VE-30002016	FIXED COIL	150UH Q60 K
L002	VE-30010964	FERRITE BEAT	
L050	VE-30002015	FIXED COIL	150UH Q50 K (RAD)
L051	VE-30002015	FIXED COIL	150UH Q50 K (RAD)
L054	VE-30010964	FERRITE BEAT	
L201	VE-30001979	FIXED COIL	1UH Q45 M-A
L202	VE-30010964	FERRITE BEAT	
L301	VE-30001987	FIXED COIL	4.7UH Q70 K-A
L302	VE-30001987	FIXED COIL	4.7UH Q70 K-A
L303	VE-30001987	FIXED COIL	4.7UH Q70 K-A
L304	VE-30001986	FIXED COIL	3.3UH Q65 K
L306	VE-30002002	FIXED COIL	47UH Q60 K
L307	VE-30002002	FIXED COIL	47UH Q60 K
L308	VE-30002002	FIXED COIL	47UH Q60 K
L309	VE-30002002	FIXED COIL	47UH Q60 K
L402	VE-30001986	FIXED COIL	3.3UH Q65 K
L403	VE-30001990	FIXED COIL	6.8UH Q75 K
L405	VE-30001992	FIXED COIL	10UH Q65 K-A
L406	VE-30001992	FIXED COIL	10UH Q65 K-A

△ Symbol No.	Part No.	Part Name	Description
COIL			
L407	VE-30001992	FIXED COIL	10UH Q65 K-A
L502	VE-30001992	FIXED COIL	10UH Q65 K-A
L504	VE-30001992	FIXED COIL	10UH Q65 K-A
L505	VE-30001992	FIXED COIL	10UH Q65 K-A
L506	VE-30001992	FIXED COIL	10UH Q65 K-A
L515	VE-30001992	FIXED COIL	10UH Q65 K-A
L603	VE-30002149	LINEARITY COIL	50UH (06-06A)
L605	VE-30001999	FIXED COIL	40UH (LOSS COIL)
L801	VE-30001984	FIXED COIL	2.2UH Q55 M-AX
L803	VE-30002011	CHOKE COIL	150UH 0.82A RAD
DIODE			
D100	VE-30001284	DIODE	
D201	VE-30001284	DIODE	
D301	VE-30001369	DIODE ZENER	
D302	VE-30001284	DIODE	
D408	VE-30001347	DIODE ZENER	
D420	VE-30001285	DIODE	
D500	VE-30012412	DIODE ZENER	
D503	VE-30001284	DIODE	
D504	VE-30001284	DIODE	
D505	VE-30012412	DIODE ZENER	
D509	VE-30001284	DIODE	
D555	VE-30001285	DIODE	
D583	VE-30001284	DIODE	
D601	VE-30001318	DIODE	
D602	VE-30001285	DIODE	
D603	VE-30001284	DIODE	
D604	VE-30001377	DIODE ZENER	
D605	VE-30001318	DIODE	
D606	VE-30001318	DIODE	
D607	VE-30001285	DIODE	
D608	VE-30001284	DIODE	
D609	VE-30001318	DIODE	
D701	VE-30001284	DIODE	
D801	VE-30001329	DIODE	
D802	VE-30001329	DIODE	
D803	VE-30001329	DIODE	
D804	VE-30001329	DIODE	
D805	VE-30001318	DIODE	
D807	VE-30001318	DIODE	
D811	VE-30001315	DIODE	
D812	VE-30001315	DIODE	
D813	VE-30001288	DIODE	
D814	VE-30001307	DIODE	
D815	VE-30001307	DIODE	
D816	VE-30007681	DIODE	
D818	VE-30001318	DIODE	
D819	VE-30001346	DIODE ZENER	
D823	VE-30001284	DIODE	
D826	VE-30001318	DIODE	
D827	VE-30001318	DIODE	
D858	VE-30001371	DIODE ZENER	
D864	VE-30001285	DIODE	
D890	VE-30001284	DIODE	
TRANSISTOR			
Q055	VE-30001454	TR BC548B	
Q100	VE-30001454	TR BC548B	
Q301	VE-30001455	TR BC558B	
Q402	VE-30001454	TR BC548B	
Q406	VE-30001454	TR BC548B	
Q407	VE-30001454	TR BC548B	
Q415	VE-30001454	TR BC548B	
Q420	VE-30001454	TR BC548B	
Q503	VE-30001455	TR BC558B	
Q512	VE-30001455	TR BC558B	
Q514	VE-30001454	TR BC548B	
Q515	VE-30001454	TR BC548B	
Q516	VE-30001454	TR BC548B	
Q517	VE-30001454	TR BC548B	
Q518	VE-30001454	TR BC548B	
Q601	VE-30001455	TR BC558B	
Q604	VE-30001435	TR BC639	

[AV21BT7ENS / AV21BT7ENB]

△ Symbol No.	Part No.	Part Name	Description
TRANSISTOR			
Q605	VE-30001440	TR	
Q701	VE-30001455	TR	
Q702	VE-30001454	TR	
Q802	VE-20073673	HE. ASY.19-SMPS 90° 170-270V (PLASTIK) JVC	
Q805	VE-30001454	TR	
Q806	VE-30001454	TR	
Q807	VE-30001454	TR	
Q809	VE-30001506	IC	
Q810	VE-30001384	TR	
Q890	VE-30001428	TR	
IC			
IC050	VE-30001619	IC	
IC100	VE-30001525	IC	
IC301	VE-30001664	IC	
IC307	VE-30001455	IC	
IC401	VE-30001575	IC	
IC501	VE-20075294	IC (MYCOM)	
IC502	VE-20073427	IC (MEMORY)	
IC701	VE-30001561	IC	
△ IC801	VE-30007069	IC	
IC802	VE-30001499	IC	
IC804	VE-20058533	HE. ASY. 19Y-REG(2)	
IC805	VE-30001500	IC	
IC807	VE-30001622	IC	
OTHERS			
△ F801	VE-20000848	FUSE ASSY	(2.5A)
J129	VE-30001997	FIXED COIL	33UH Q60 J
J314	VE-20051395	MD. ASY. PR19Y-11PR19Y(PROTECTION CIR.)90°	
J500	VE-30010964	FERRITE BEAT	
LD501	VE-30001279	LED	RED/GREEN
MD501	VE-30001670	PREAMPLIFIER	
SW501	VE-30002178	SWITCH TACT SKHHLU	
SW502	VE-30002178	SWITCH TACT SKHHLU	
SW503	VE-30002178	SWITCH TACT SKHHLU	
SW504	VE-30002178	SWITCH TACT SKHHLU	
SW505	VE-30002178	SWITCH TACT SKHHLU	
△ SW801	VE-30002175	SWITCH	ON/OFF 2.5A/100A
△ TH801	VE-30001268	THERMISTOR 3P	
△ TR601	VE-30002090	LINE DRIVER	
△ TR602	VE-30002826	TRF. FBT	
△ TR801	VE-30002100	LINE FILTER	
△ TR802	VE-30002083	TRF	
TU201	VE-30009637	TUNER	
VL301	VE-30002037	ADJ. COIL	VIF 38.9 Q80
X301	VE-30001756	XTAL	
X401	VE-30001748	XTAL	
X404	VE-30001745	XTAL	
X501	VE-30006662	XTAL	
Z209	VE-30001724	FILTER SER TRAP	
Z301	VE-30001706	FILTER SAW	
Z302	VE-30001692	FILTER SAW	
Z401	VE-30001692	FILTER SAW	

MULTI SOUND P.W. BOARD ASS'Y (VE-20078991)

△ Symbol No.	Part No.	Part Name	Description
RESISTOR			
R001	VE-30000631	SMD RES.	1/10W 2.7K J
R002	VE-30000631	SMD RES.	1/10W 2.7K J
R303	VE-30000469	SMD RES.	1/10W 1K J
R304	VE-30000717	SMD RES.	1/10W 470R J
R305	VE-30000717	SMD RES.	1/10W 470R J
R306	VE-30000464	SMD RES.	1/10W 100R J
R307	VE-30000464	SMD RES.	1/10W 100R J
R308	VE-30000464	SMD RES.	1/10W 100R J
R309	VE-30000660	CF RES.	1/4W 3.3K J
R310	VE-30000660	CF RES.	1/4W 3.3K J
R311	VE-30000531	CF RES.	1/4W 15K J
R313	VE-30000534	SMD RES.	1/10W 15K J
R314	VE-30000534	SMD RES.	1/10W 15K J
R315	VE-30000534	SMD RES.	1/10W 15K J
R341	VE-30000524	SMD RES.	1/10W 150R J
R343	VE-30001248	FUSE RES.	1/4W 4.7R J
R359	VE-30000464	SMD RES.	1/10W 100R J
R360	VE-30000464	SMD RES.	1/10W 100R J
R361	VE-30000464	SMD RES.	1/10W 100R J
R364	VE-30000464	SMD RES.	1/10W 100R J
R378	VE-30000471	CF RES.	1/4W 10K J
R379	VE-30000475	SMD RES.	1/10W 10K J
R399	VE-30000717	SMD RES.	1/10W 470R J
CAPACITOR			
C279	VE-30000263	SMD CAP.	56PF 50V J CH
C301	VE-30000216	SMD CAP.	1.8PF 50V J CH
C302	VE-30000216	SMD CAP.	1.8PF 50V J CH
C304	VE-30000289	SMD CAP.	10NF 50V K R
C306	VE-30000345	EL CAP.	10UF 50V M
C307	VE-30000294	SMD CAP.	100NF 50V K
C308	VE-30000074	MKT CAP.	100NF 63V J
C309	VE-30000345	EL CAP.	10UF 50V M
C316	VE-30000284	SMD CAP.	1NF 50V K R
C317	VE-30000284	SMD CAP.	1NF 50V K R
C318	VE-30000074	MKT CAP.	100NF 63V J
C319	VE-30000393	EL CAP.	3.3UF 50V M
C320	VE-30000294	SMD CAP.	100NF 50V K
C321	VE-30000345	EL CAP.	10UF 50V M
C322	VE-30000345	EL CAP.	10UF 50V M
C323	VE-30000345	EL CAP.	10UF 50V M
C326	VE-30000371	EL CAP.	22UF 50V M
C327	VE-30000371	EL CAP.	22UF 50V M
C328	VE-30000284	SMD CAP.	1NF 50V K R
C329	VE-30000284	SMD CAP.	1NF 50V K R
C330	VE-30000284	SMD CAP.	1NF 50V K R
C331	VE-30000284	SMD CAP.	1NF 50V K R
C332	VE-30000417	EL CAP.	6.8UF 50V M
C333	VE-30000294	SMD CAP.	100NF 50V K
C334	VE-30000345	EL CAP.	10UF 50V M
C335	VE-30000252	SMD CAP.	47PF 50V J
C336	VE-30000252	SMD CAP.	47PF 50V J
C338	VE-30000371	EL CAP.	22UF 50V M
C339	VE-30000256	SMD CAP.	470PF 50V J
C340	VE-30000100	MKT CAP.	330NF 63V J
C341	VE-30000256	SMD CAP.	470PF 50V J
C342	VE-30000100	MKT CAP.	330NF 63V J
C343	VE-30000224	SMD CAP.	220PF 50V J
C344	VE-30000100	MKT CAP.	330NF 63V J
C346	VE-30000224	SMD CAP.	220PF 50V J
C347	VE-30000371	EL CAP.	22UF 50V M
C348	VE-30000224	SMD CAP.	220PF 50V J
C349	VE-30000100	MKT CAP.	330NF 63V J
C350	VE-30000224	SMD CAP.	220PF 50V J
C351	VE-30000100	MKT CAP.	330NF 63V J
C352	VE-30000224	SMD CAP.	220PF 50V J
C353	VE-30000100	MKT CAP.	330NF 63V J
C355	VE-30000284	SMD CAP.	1NF 50V K R
C357	VE-30000294	SMD CAP.	100NF 50V K
C358	VE-30000345	EL CAP.	10UF 50V M
C364	VE-30000284	SMD CAP.	1NF 50V K R
C365	VE-30000384	EL CAP.	2.2UF 50V M
C366	VE-30000294	SMD CAP.	100NF 50V K
C368	VE-30000294	SMD CAP.	100NF 50V K
C369	VE-30000294	SMD CAP.	100NF 50V K
C370	VE-30000384	EL CAP.	2.2UF 50V M

[AV21BT7ENS / AV21BT7ENB]

Symbol No.	Part No.	Part Name	Description
CAPACITOR			
C371	VE-30000109	MKT CAP.	470NF 63V J
C373	VE-30000371	EL CAP.	22UF 50V M
C374	VE-30000294	SMD CAP.	100NF 50V K
C379	VE-30000294	SMD CAP.	100NF 50V K
C385	VE-30000294	SMD CAP.	100NF 50V K
C400	VE-30000294	SMD CAP.	100NF 50V K
C401	VE-30000371	EL CAP.	22UF 50V M
C403	VE-30000294	SMD CAP.	100NF 50V K
C404	VE-30000284	SMD CAP.	1NF 50V K R
C405	VE-30000294	SMD CAP.	100NF 50V K
C406	VE-30000284	SMD CAP.	1NF 50V K R
C407	VE-30000284	SMD CAP.	1NF 50V K R

Symbol No.	Part No.	Part Name	Description
COIL			
L301	VE-30001987	FIXED COIL	4.7UH Q70 K-A
L302	VE-30001987	FIXED COIL	4.7UH Q70 K-A
L303	VE-30001987	FIXED COIL	4.7UH Q70 K-A
L304	VE-30001986	FIXED COIL	3.3UH Q65 K
L306	VE-30002002	FIXED COIL	47UH Q60 K
L307	VE-30002002	FIXED COIL	47UH Q60 K
L308	VE-30002002	FIXED COIL	47UH Q60 K
L309	VE-30002002	FIXED COIL	47UH Q60 K

Symbol No.	Part No.	Part Name	Description
DIODE			
D301	VE-30001369	DIODE ZENER	
D302	VE-30001284	DIODE	

Symbol No.	Part No.	Part Name	Description
TRANSISTOR			
Q301	VE-30001455	TR BC558B	

Symbol No.	Part No.	Part Name	Description
IC			
IC301	VE-30001664	IC MSP3410D	SDIR64
IC307	VE-30001495	IC TDA4472	

Symbol No.	Part No.	Part Name	Description
OTHERS			
VL301	VE-30002037	ADJ COIL	VIF 38.9 Q80
X301	VE-30001756	XTAL	
Z301	VE-30001706	FILTER SAW	
Z302	VE-30001692	FILTER SAW	

CRT SOCKET P.W. BOARD ASS'Y (VE-20074437)

Symbol No.	Part No.	Part Name	Description
RESISTOR			
R901	VE-30000525	CF RES.	1/2W 1.5K J
R902	VE-30000525	CF RES.	1/2W 1.5K J
R903	VE-30000525	CF RES.	1/2W 1.5K J
R905	VE-30000525	CF RES.	1/2W 1.5K J
R906	VE-30000525	CF RES.	1/2W 1.5K J
R907	VE-30000459	CF RES.	1/4W 100R J
R908	VE-30000459	CF RES.	1/4W 100R J
R909	VE-30000459	CF RES.	1/4W 100R J
R914	VE-30001242	FUSE RES.	1/4W 47R J

Symbol No.	Part No.	Part Name	Description
CAPACITOR			
C901	VE-30000075	MKT CAP.	100NF 250V K (DC)
C902	VE-30000350	EL CAP.	10UF 250V M
C903	VE-30000434	CER CAP.	1NF 2KV K B
C904	VE-30000319	CER CAP.	2.7NF 500V K B

Symbol No.	Part No.	Part Name	Description
DIODE			
D900	VE-30001347	DIODE ZENER	8.2V

Symbol No.	Part No.	Part Name	Description
IC			
IC901	VE-20000954	HE. ASY. 19-CRT BOARD	

Symbol No.	Part No.	Part Name	Description
OTHERS			
PL900	VE-30015752	SOCKET CRT NARROWNECK W/GND HIT	
SP901	VE-30000428	SPARK GAP 300V	
SP902	VE-30000428	SPARK GAP 300V	
SP903	VE-30000428	SPARK GAP 300V	
SP904	VE-30000428	SPARK GAP 300V	

FRONT AV P.W. BOARD ASS'Y (VE-20076582)

Symbol No.	Part No.	Part Name	Description
OTHERS			
PL1203	VE-30015338	RCA JACK	
PL1204	VE-30015339	RCA JACK	
PL1205	VE-30015337	RCA JACK	

HEAD PHONE P.W. BOARD ASS'Y (VE-20075217)

Symbol No.	Part No.	Part Name	Description
RESISTOR			
R113	VE-30000744	CF RES.	1/4W 560R J
R114	VE-30000744	CF RES.	1/4W 560R J
R115	VE-30000712	CF RES.	1/4W 470R J
R116	VE-30000712	CF RES.	1/4W 470R J

Symbol No.	Part No.	Part Name	Description
COIL			
L103	VE-30001996	FIXED COIL	22UH Q40 K
L104	VE-30001996	FIXED COIL	22UH Q40 K

Symbol No.	Part No.	Part Name	Description
OTHERS			
CON106	VE-30001900	JACK HEADPHONE	HP01/2/3/4/5/6

PRINTED WIRING BOARD PARTS LIST

[AV21BT7EPS / AV21BT7EPB]

MAIN P.W. BOARD ASS'Y (VE-20073414)

△ Symbol No.	Part No.	Part Name	Description	△ Symbol No.	Part No.	Part Name	Description
RESISTOR				RESISTOR			
R001	VE-30000631	SMD RES.	1/10W 2.7K J	R341	VE-30000524	SMD RES.	1/10W 150R J
R002	VE-30000631	SMD RES.	1/10W 2.7K J	R343	VE-30001248	FUSE RES.	1/4W 4.7R J
R010	VE-30000797	SMD RES.	1/10W 75R J	R344	VE-30000766	SMD RES.	1/10W 620K J
R011	VE-30000480	SMD RES.	1/10W 100K J	R345	VE-30000499	SMD RES.	1/10W 1.2K J
R012	VE-30000480	SMD RES.	1/10W 100K J	R346	VE-30000835	SMD RES.	1/10W 910R J
R014	VE-30000477	CF RES.	1/4W 100K J	R347	VE-30000563	SMD RES.	1/10W 1.8K J
R015	VE-30000480	SMD RES.	1/10W 100K J	R359	VE-30000464	SMD RES.	1/10W 100R J
R040	VE-30000797	SMD RES.	1/10W 75R J	R360	VE-30000464	SMD RES.	1/10W 100R J
R041	VE-30000797	SMD RES.	1/10W 75R J	R361	VE-30000464	SMD RES.	1/10W 100R J
R044	VE-30000459	CF RES.	1/4W 100R J	R364	VE-30000464	SMD RES.	1/10W 100R J
R045	VE-30000524	SMD RES.	1/10W 150R J	R378	VE-30000471	CF RES.	1/4W 10K J
R049	VE-30000717	SMD RES.	1/10W 470R J	R379	VE-30000475	SMD RES.	1/10W 10K J
R050	VE-30000464	SMD RES.	1/10W 100R J	R399	VE-30000717	SMD RES.	1/10W 470R J
R051	VE-30000464	SMD RES.	1/10W 100R J	R400	VE-30000717	SMD RES.	1/10W 470R J
R065	VE-30000797	SMD RES.	1/10W 75R J	R402	VE-30000706	CF RES.	1/4W 47R J
R066	VE-30000774	SMD RES.	1/10W 680R J	R403	VE-30000659	SMD RES.	1/10W 330R J
R067	VE-30000469	SMD RES.	1/10W 1K J	R404	VE-30000688	SMD RES.	1/10W 390R J
R068	VE-30000774	SMD RES.	1/10W 680R J	R405	VE-30000469	SMD RES.	1/10W 1K J
R069	VE-30000469	SMD RES.	1/10W 1K J	R407	VE-30000459	CF RES.	1/4W 100R J
R070	VE-30000588	SMD RES.	1/10W 220R J	R418	VE-30000735	SMD RES.	1/10W 4.7R J
R071	VE-30000588	SMD RES.	1/10W 220R J	R419	VE-30000710	SMD RES.	1/10W 47R J
R072	VE-30000588	SMD RES.	1/10W 220R J	R420	VE-30000593	SMD RES.	1/10W 2.2K J
R073	VE-30000797	SMD RES.	1/10W 75R J	R421	VE-30000499	SMD RES.	1/10W 1.2K J
R075	VE-30000653	SMD RES.	1/10W 33R J	R422	VE-30000558	SMD RES.	1/10W 180R J
R078	VE-30000774	SMD RES.	1/10W 680R J	R426	VE-30000659	SMD RES.	1/10W 330R J
R079	VE-30000469	SMD RES.	1/10W 1K J	R429	VE-30000524	SMD RES.	1/10W 150R J
R080	VE-30000774	SMD RES.	1/10W 680R J	R431	VE-30000459	CF RES.	1/4W 100R J
R081	VE-30000469	SMD RES.	1/10W 1K J	R432	VE-30000459	CF RES.	1/4W 100R J
R082	VE-30000469	SMD RES.	1/10W 1K J	R433	VE-30000475	SMD RES.	1/10W 10K J
R083	VE-30000653	SMD RES.	1/10W 33R J	R437	VE-30000469	SMD RES.	1/10W 1K J
R084	VE-30000710	SMD RES.	1/10W 47R J	R438	VE-30000499	SMD RES.	1/10W 1.2K J
R094	VE-30000475	SMD RES.	1/10W 10K J	R439	VE-30000499	SMD RES.	1/10W 1.2K J
R095	VE-30000475	SMD RES.	1/10W 10K J	R440	VE-30000499	SMD RES.	1/10W 1.2K J
R096	VE-30000475	SMD RES.	1/10W 10K J	R446	VE-30000480	SMD RES.	1/10W 100K J
R097	VE-30000529	SMD RES.	1/10W 1.5K J	R447	VE-30000464	SMD RES.	1/10W 100R J
R098	VE-30000475	SMD RES.	1/10W 10K J	R448	VE-30000466	CF RES.	1/4W 1K J
R099	VE-30000475	SMD RES.	1/10W 10K J	R449	VE-30000489	SMD RES.	1/10W 1R J
R100	VE-30000727	SMD RES.	1/10W 47K J	R450	VE-30000631	SMD RES.	1/10W 2.7K J
R101	VE-30000471	CF RES.	1/4W 10K J	R451	VE-30000633	CF RES.	1/4W 27K J
R102	VE-30000747	SMD RES.	1/10W 560R J	R454	VE-30000534	SMD RES.	1/10W 15K J
R103	VE-30000710	SMD RES.	1/10W 47R J	R456	VE-30000550	SMD RES.	1/10W 160K J
R104	VE-30000457	SMD RES.	1/10W 10R J	R457	VE-30000606	SMD RES.	1/10W 2.2H J
R105	VE-30000457	SMD RES.	1/10W 10R J	R458	VE-30000732	SMD RES.	1/10W 470K J
R106	VE-30000567	SMD RES.	1/10W 18K J	R459	VE-30000697	SMD RES.	1/10W 39K G
R108	VE-30000564	CF RES.	1/4W 18K J	R460	VE-30000770	CF RES.	1/4W 680R J
R200	VE-30000503	SMD RES.	1/10W 12K J	R465	VE-30006658	SMD RES.	1/10W 82R J
R201	VE-30000723	CF RES.	1/4W 47K J	R486	VE-30000721	SMD RES.	1/10W 4.7K J
R202	VE-30000459	CF RES.	1/4W 100R J	R488	VE-30000471	CF RES.	1/4W 10K J
R203	VE-30000471	CF RES.	1/4W 10K J	R492	VE-30000588	SMD RES.	1/10W 220R J
R208	VE-30000459	CF RES.	1/4W 100R J	R493	VE-30000588	SMD RES.	1/10W 220R J
R209	VE-30000459	CF RES.	1/4W 100R J	R494	VE-30000526	CF RES.	1/4W 1.5K J
R213	VE-30000597	SMD RES.	1/10W 22K J	R498	VE-30000563	SMD RES.	1/10W 1.8K J
R3	VE-30000653	SMD RES.	1/10W 33R J	R500	VE-30000469	SMD RES.	1/10W 1K J
R300	VE-30000529	SMD RES.	1/10W 1.5K J	R502	VE-30000469	SMD RES.	1/10W 1K J
R303	VE-30000469	SMD RES.	1/10W 1K J	R503	VE-30000469	SMD RES.	1/10W 1K J
R304	VE-30000717	SMD RES.	1/10W 470R J	R507	VE-30000469	SMD RES.	1/10W 1K J
R305	VE-30000717	SMD RES.	1/10W 470R J	R512	VE-30000727	SMD RES.	1/10W 47K J
R306	VE-30000464	SMD RES.	1/10W 100R J	R513	VE-30000727	SMD RES.	1/10W 47K J
R307	VE-30000464	SMD RES.	1/10W 100R J	R514	VE-30000727	SMD RES.	1/10W 47K J
R308	VE-30000464	SMD RES.	1/10W 100R J	R515	VE-30000727	SMD RES.	1/10W 47K J
R309	VE-30000660	CF RES.	1/4W 3.3K J	R516	VE-30000464	SMD RES.	1/10W 100R J
R310	VE-30000660	CF RES.	1/4W 3.3K J	R517	VE-30000464	SMD RES.	1/10W 100R J
R311	VE-30000531	CF RES.	1/4W 15K J	R523	VE-30000475	SMD RES.	1/10W 10K J
R313	VE-30000534	SMD RES.	1/10W 15K J	R524	VE-30000475	SMD RES.	1/10W 10K J
R314	VE-30000534	SMD RES.	1/10W 15K J	R527	VE-30000721	SMD RES.	1/10W 4.7K J
R315	VE-30000534	SMD RES.	1/10W 15K J	R528	VE-30000560	CF RES.	1/4W 1.8K J
R316	VE-30000469	SMD RES.	1/10W 1K J	R529	VE-30000560	CF RES.	1/4W 1.8K J
R319	VE-30000469	SMD RES.	1/10W 1K J	R530	VE-30000560	CF RES.	1/4W 1.8K J
R321	VE-30000664	SMD RES.	1/10W 3.3K J	R532	VE-30000475	SMD RES.	1/10W 10K J
R331	VE-30000668	SMD RES.	1/10W 33K J	R533	VE-30000721	SMD RES.	1/10W 4.7K J
R332	VE-30000475	SMD RES.	1/10W 10K J	R535	VE-30000721	SMD RES.	1/10W 4.7K J
R333	VE-30000668	SMD RES.	1/10W 33K J	R537	VE-30000593	SMD RES.	1/10W 2.2K J
R334	VE-30000480	SMD RES.	1/10W 100K J	R538	VE-30000475	SMD RES.	1/10W 10K J
R340	VE-30000727	SMD RES.	1/10W 47K J	R539	VE-30000475	SMD RES.	1/10W 10K J

[AV21BT7EPS / AV21BT7EPB]

△ Symbol No.	Part No.	Part Name	Description
RESISTOR			
R540	VE-30000818	SMD RES.	1/10W 8.2K J
R541	VE-30000721	SMD RES.	1/10W 4.7K J
R542	VE-30000721	SMD RES.	1/10W 4.7K J
R543	VE-30000717	SMD RES.	1/10W 470R J
R548	VE-30000721	SMD RES.	1/10W 4.7K J
R549	VE-30000531	CF RES.	1/4W 15K J
R550	VE-30000721	SMD RES.	1/10W 4.7K J
R551	VE-30000475	SMD RES.	1/10W 10K J
R552	VE-30000593	SMD RES.	1/10W 2.2K J
R554	VE-30000815	CF RES.	1/4W 8.2K J
R556	VE-30000567	SMD RES.	1/10W 18K J
R559	VE-30000588	SMD RES.	1/10W 220R J
R560	VE-30000469	SMD RES.	1/10W 1K J
R561	VE-30000692	SMD RES.	1/10W 3.9K J
R562	VE-30000471	CF RES.	1/4W 10K J
R563	VE-30000471	CF RES.	1/4W 10K J
R564	VE-30000475	SMD RES.	1/10W 10K J
R565	VE-30000475	SMD RES.	1/10W 10K J
R566	VE-30010167	SMD RES.	1/10W 56R J
R568	VE-30000475	SMD RES.	1/10W 10K J
R569	VE-30000459	CF RES.	1/4W 100R J
R570	VE-30000531	CF RES.	1/4W 15K J
R571	VE-30000466	CF RES.	1/4W 1K J
R572	VE-30000475	SMD RES.	1/10W 10K J
R573	VE-30000721	SMD RES.	1/10W 4.7K J
R574	VE-30000692	SMD RES.	1/10W 3.9K J
R577	VE-30000475	SMD RES.	1/10W 10K J
R578	VE-30000475	SMD RES.	1/10W 10K J
R579	VE-30000721	SMD RES.	1/10W 4.7K J
R580	VE-30000464	SMD RES.	1/10W 100R J
R581	VE-30000588	SMD RES.	1/10W 220R J
R582	VE-30000464	SMD RES.	1/10W 100R J
R583	VE-30000475	SMD RES.	1/10W 10K J
R584	VE-30000563	SMD RES.	1/10W 1.8K J
R586	VE-30000480	SMD RES.	1/10W 100K J
R587	VE-30000712	CF RES.	1/4W 470R J
R590	VE-30000721	SMD RES.	1/10W 4.7K J
R594	VE-30000475	SMD RES.	1/10W 10K J
R595	VE-30000475	SMD RES.	1/10W 10K J
R596	VE-30000475	SMD RES.	1/10W 10K J
R601	VE-30000471	CF RES.	1/4W 10K J
R602	VE-30000464	SMD RES.	1/10W 100R J
R605	VE-30000466	CF RES.	1/4W 1K J
R610	VE-30001125	MO RES.	2W 2.2K J
△ R611	VE-30001215	FUSE RES.	1W 1R J
R613	VE-30000837	CF RES.	1/4W 9.1K J
R614	VE-30000815	CF RES.	1/4W 8.2K J
R615	VE-30000837	CF RES.	1/4W 9.1K J
R617	VE-30000599	CF RES.	1/4W 220K J
R618	VE-30000464	SMD RES.	1/10W 100R J
R619	VE-30000815	CF RES.	1/4W 8.2K J
R620	VE-30001082	MO RES.	1/2W 1K J
R621	VE-30000459	CF RES.	1/4W 100R J
R626	VE-30000466	CF RES.	1/4W 1K J
△ R628	VE-30001230	FUSE RES.	1/2W 27R J
R630	VE-30001082	MO RES.	1/2W 1K J
R700	VE-30000466	CF RES.	1/4W 1K J
R702	VE-30000452	CF RES.	1/4W 10R J
R703	VE-3000091	MF RES.	1/4W 1.8R J
△ R704	VE-30001251	FUSE RES.	1/2W 56R J
R705	VE-30000580	CF RES.	1/4W 22R J
R706	VE-30000949	MF RES.	1/4W 3K G
R707	VE-30000655	CF RES.	1/4W 330R J
R708	VE-30000469	SMD RES.	1/10W 1K J
R709	VE-30000475	SMD RES.	1/10W 10K J
R710	VE-30000718	CF RES.	1/4W 4.7K J
R711	VE-30000500	CF RES.	1/4W 12K J
R714	VE-30000459	CF RES.	1/4W 100R J
R715	VE-30000459	CF RES.	1/4W 100R J
R716	VE-30000466	CF RES.	1/4W 1K J
R717	VE-30000712	CF RES.	1/4W 470R J
R805	VE-30000633	CF RES.	1/4W 27K J
R806	VE-30001129	MO RES.	3W 22K J
R807	VE-30000466	CF RES.	1/4W 1K J
R808	VE-30007029	SMD RES.	1/10W 9.1K J
R809	VE-30000469	SMD RES.	1/10W 1K J
R810	VE-30000597	SMD RES.	1/10W 22K J

△ Symbol No.	Part No.	Part Name	Description
RESISTOR			
R814	VE-30000706	CF RES.	1/4W 47R J
R811	VE-30000597	SMD RES.	1/10W 22K J
R812	VE-30000519	CF RES.	1/4W 150R J
R813	VE-30000475	SMD RES.	1/10W 10K J
R816	VE-30000540	CF RES.	1/2W 1.5M J (400V)
R817	VE-30001260	HW RES.	5W 2.2R J RAD.
R818	VE-30000466	CF RES.	1/4W 1K J
R821	VE-30000602	SMD RES.	1/10W 220K J
R822	VE-30001156	MO RES.	5W 33K J
R823	VE-30001037	MF RES.	1/4W 99K F
R824	VE-30000925	MF RES.	1/4W 2.2K F
R828	VE-30007759	CF RES.	1W 47K J
R829	VE-30000469	SMD RES.	1/10W 1K J
R831	VE-30000471	CF RES.	1/10W 10K J
R832	VE-30000721	SMD RES.	1/10W 4.7K J
R833	VE-30000710	SMD RES.	1/10W 47R J
R834	VE-30000818	SMD RES.	1/10W 8.2K J
R835	VE-30000580	CF RES.	1/4W 22R J
R836	VE-30000706	CF RES.	1/4W 47R J
R844	VE-30000471	CF RES.	1/4W 10K J
△ R845	VE-30001257	MG RES.	1/2W 4.7M J
R849	VE-30000534	SMD RES.	1/10W 15K J
R850	VE-30000569	CF RES.	1/4W 180K J
R858	VE-30000712	CF RES.	1/4W 470R J
R868	VE-30000810	CF RES.	1/4W 820R J
R869	VE-30000810	CF RES.	1/4W 820R J
R870	VE-30001159	MO RES.	1W 0.33R J
R871	VE-30000471	CF RES.	1/4W 10K J
R872	VE-30007786	SMD RES.	1/10W 2.55K F
R873	VE-30012852	SMD RES.	1/10W 3.9K F
R879	VE-30000718	CF RES.	1/4W 4.7K J
R885	VE-30000475	SMD RES.	1/10W 10K J
R886	VE-30000475	SMD RES.	1/10W 10K J
R888	VE-30000503	SMD RES.	1/10W 12K J
R890	VE-30001089	MO RES.	2W 1R J
R891	VE-30000466	CF RES.	1/4W 1K J
R892	VE-30000471	CF RES.	1/4W 10K J
R893	VE-30000477	CF RES.	1/4W 100K J
R894	VE-30000660	CF RES.	1/4W 3.3K J
R895	VE-30000638	CF RES.	1/4W 270K J
CAPACITOR			
C01	VE-30000332	SMD CAP.	4.7NF 50V K
C010	VE-30000294	SMD CAP.	100NF 50V K
C011	VE-30000294	SMD CAP.	100NF 50V K
C012	VE-30000294	SMD CAP.	100NF 50V K
C013	VE-30000375	EL CAP.	220UF 16V M
C02	VE-30000332	SMD CAP.	4.7NF 50V K
C028	VE-30000352	EL CAP.	100UF 16V M
C029	VE-30000294	SMD CAP.	100NF 50V K
C03	VE-30000332	SMD CAP.	4.7NF 50V K
C030	VE-30000294	SMD CAP.	100NF 50V K
C031	VE-30000294	SMD CAP.	100NF 50V K
C032	VE-30000294	SMD CAP.	100NF 50V K
C04	VE-30000332	SMD CAP.	4.7NF 50V K
C051	VE-30000315	SMD CAP.	220NF 25V Z
C052	VE-30000294	SMD CAP.	100NF 50V K
C053	VE-30000315	SMD CAP.	220NF 25V Z
C054	VE-30000315	SMD CAP.	220NF 25V Z
C059	VE-30000300	SMD CAP.	1.5NF 50V K
C060	VE-30000300	SMD CAP.	1.5NF 50V K
C061	VE-30000242	SMD CAP.	330PF 50V J
C062	VE-30000242	SMD CAP.	330PF 50V J
C064	VE-30000300	SMD CAP.	1.5NF 50V K
C065	VE-30000300	SMD CAP.	1.5NF 50V K
C066	VE-30000242	SMD CAP.	330PF 50V J
C067	VE-30000242	SMD CAP.	330PF 50V J
C068	VE-30000345	EL CAP.	10UF 50V M
C071	VE-30000315	SMD CAP.	220NF 25V Z
C072	VE-30000294	SMD CAP.	100NF 50V K
C073	VE-30000294	SMD CAP.	100NF 50V K
C095	VE-30000289	SMD CAP.	10NF 50V K R
C097	VE-30000189	SMD CAP.	100PF 50V J
C098	VE-30000224	SMD CAP.	220PF 50V J
C099	VE-30000189	SMD CAP.	100PF 50V J
C101	VE-30000336	SMD CAP.	5.6NF 50V K

[AV21BT7EPS / AV21BT7EPB]

△ Symbol No.	Part No.	Part Name	Description	△ Symbol No.	Part No.	Part Name	Description
CAPACITOR				CAPACITOR			
C102	VE-30000345	EL CAP.	10UF 50V M	C401	VE-30000371	EL CAP.	22UF 50V M
C107	VE-30000336	SMD CAP.	5.6NF 50V K	C402	VE-30000345	EL CAP.	10UF 50V M
C108	VE-30000312	SMD CAP.	22NF 50V K	C402	VE-30000387	EL CAP.	33UF 50V M
C109	VE-30000332	SMD CAP.	4.7NF 50V K	C403	VE-30000074	MKT CAP.	100NF 63V J
C110	VE-30000312	SMD CAP.	22NF 50V K	C403	VE-30000294	SMD CAP.	100NF 50V K
C111	VE-30000332	SMD CAP.	4.7NF 50V K	C404	VE-30000284	SMD CAP.	1NF 50V K R
C112	VE-30000109	MKT CAP.	470NF 63V J	C405	VE-30000294	SMD CAP.	100NF 50V K
C113	VE-30000109	MKT CAP.	470NF 63V J	C405	VE-30000345	EL CAP.	10UF 50V M
C116	VE-30000082	MKT CAP.	15NF 63V J	C406	VE-30000284	SMD CAP.	1NF 50V K R
C117	VE-30000082	MKT CAP.	15NF 63V J	C406	VE-30000313	CER CAP.	22NF 50V Z F
C201	VE-30000352	EL CAP.	100UF 16V M	C407	VE-30000284	SMD CAP.	1NF 50V K R
C203	VE-30000345	EL CAP.	10UF 50V M	C407	VE-30000384	EL CAP.	2.2UF 50V M
C204	VE-30000345	EL CAP.	10UF 50V M	C408	VE-30000283	CER CAP.	1NF 50V K B
C211	VE-30000294	SMD CAP.	100NF 50V K	C409	VE-30000334	SMD CAP.	47NF 50V K
C212	VE-30000190	CER CAP.	100PF 50V J CH	C410	VE-30000345	EL CAP.	10UF 50V M
C279	VE-30000263	SMD CAP.	56PF 50V J CH	C411	VE-30000334	SMD CAP.	47NF 50V K
C301	VE-30000216	SMD CAP.	1.8PF 50V J CH	C412	VE-30000312	SMD CAP.	22NF 50V K
C302	VE-30000216	SMD CAP.	1.8PF 50V J CH	C413	VE-30000375	EL CAP.	220UF 16V M
C304	VE-30000289	SMD CAP.	10NF 50V K R	C415	VE-30000092	MKT CAP.	220NF 63V J
C306	VE-30000345	EL CAP.	10UF 50V M	C416	VE-30000312	SMD CAP.	22NF 50V K
C307	VE-30000294	SMD CAP.	100NF 50V K	C417	VE-30000312	SMD CAP.	22NF 50V K
C308	VE-30000074	MKT CAP.	100NF 63V J	C418	VE-30000312	SMD CAP.	22NF 50V K
C309	VE-30000345	EL CAP.	10UF 50V M	C419	VE-30000315	SMD CAP.	220NF 25V Z
C316	VE-30000284	SMD CAP.	1NF 50V K R	C421	VE-30000220	SMD CAP.	22PF 50V J
C317	VE-30000284	SMD CAP.	1NF 50V K R	C422	VE-30000220	SMD CAP.	22PF 50V J
C318	VE-30000074	MKT CAP.	100NF 63V J	C423	VE-30000322	SMD CAP.	3.3NF 50V K
C319	VE-30000393	EL CAP.	3.3UF 50V M	C424	VE-30000294	SMD CAP.	100NF 50V K
C320	VE-30000294	SMD CAP.	100NF 50V K	C425	VE-30000312	SMD CAP.	22NF 50V K
C321	VE-30000345	EL CAP.	10UF 50V M	C426	VE-30000353	EL CAP.	100UF 25V M
C322	VE-30000345	EL CAP.	10UF 50V M	C427	VE-30000294	SMD CAP.	100NF 50V K
C323	VE-30000345	EL CAP.	10UF 50V M	C428	VE-30000345	EL CAP.	10UF 50V M
C326	VE-30000371	EL CAP.	22UF 50V M	C430	VE-30000309	SMD CAP.	2.2NF 50V K R
C327	VE-30000371	EL CAP.	22UF 50V M	C431	VE-30000362	EL CAP.	1UF 50V M
C328	VE-30000284	SMD CAP.	1NF 50V K R	C432	VE-30000413	EL CAP.	4.7UF 50V M
C329	VE-30000284	SMD CAP.	1NF 50V K R	C433	VE-30000284	SMD CAP.	1NF 50V K R
C330	VE-30000284	SMD CAP.	1NF 50V K R	C434	VE-30000284	SMD CAP.	1NF 50V K R
C331	VE-30000284	SMD CAP.	1NF 50V K R	C435	VE-30000074	MKT CAP.	100NF 63V J
C332	VE-30000417	EL CAP.	6.8UF 50V M	C436	VE-30000074	MKT CAP.	100NF 63V J
C333	VE-30000294	SMD CAP.	100NF 50V K	C437	VE-30000362	EL CAP.	1UF 50V M
C334	VE-30000345	EL CAP.	10UF 50V M	C438	VE-30000312	SMD CAP.	22NF 50V K
C335	VE-30000252	SMD CAP.	47PF 50V J	C439	VE-30000284	SMD CAP.	1NF 50V K R
C336	VE-30000252	SMD CAP.	47PF 50V J	C440	VE-30000345	EL CAP.	10UF 50V M
C338	VE-30000371	EL CAP.	22UF 50V M	C446	VE-30000252	SMD CAP.	47PF 50V J
C339	VE-30000256	SMD CAP.	470PF 50V J	C447	VE-30000252	SMD CAP.	47PF 50V J
C340	VE-30000100	MKT CAP.	330NF 63V J	C448	VE-30000189	SMD CAP.	100PF 50V J
C341	VE-30000256	SMD CAP.	470PF 50V J	C450	VE-30000294	SMD CAP.	100NF 50V K
C342	VE-30000100	MKT CAP.	330NF 63V J	C459	VE-30000332	SMD CAP.	4.7NF 50V K
C343	VE-30000224	SMD CAP.	220PF 50V J	C465	VE-30000300	SMD CAP.	1.5NF 50V K
C344	VE-30000100	MKT CAP.	330NF 63V J	C490	VE-30000284	SMD CAP.	1NF 50V K R
C346	VE-30000224	SMD CAP.	220PF 50V J	C497	VE-30000300	SMD CAP.	1.5NF 50V K
C347	VE-30000371	EL CAP.	22UF 50V M	C498	VE-30000189	SMD CAP.	100PF 50V J
C348	VE-30000224	SMD CAP.	220PF 50V J	C499	VE-30000300	SMD CAP.	1.5NF 50V K
C349	VE-30000100	MKT CAP.	330NF 63V J	C505	VE-30000294	SMD CAP.	100NF 50V K
C350	VE-30000224	SMD CAP.	220PF 50V J	C513	VE-30000294	SMD CAP.	100NF 50V K
C351	VE-30000100	MKT CAP.	330NF 63V J	C514	VE-30000345	EL CAP.	10UF 50V M
C352	VE-30000224	SMD CAP.	220PF 50V J	C516	VE-30000371	EL CAP.	22UF 50V M
C353	VE-30000100	MKT CAP.	330NF 63V J	C517	VE-30000352	EL CAP.	100UF 16V M
C355	VE-30000284	SMD CAP.	1NF 50V K R	C521	VE-30000109	MKT CAP.	470NF 63V J
C357	VE-30000294	SMD CAP.	100NF 50V K	C524	VE-30000237	SMD CAP.	33PF 50V J
C358	VE-30000100	MKT CAP.	330NF 63V J	C525	VE-30000237	SMD CAP.	33PF 50V J
C364	VE-30000284	SMD CAP.	1NF 50V K R	C526	VE-30000294	SMD CAP.	100NF 50V K
C365	VE-30000384	EL CAP.	2.2UF 50V M	C530	VE-30000294	SMD CAP.	100NF 50V K
C366	VE-30000294	SMD CAP.	100NF 50V K	C531	VE-30000294	SMD CAP.	100NF 50V K
C367	VE-30000294	SMD CAP.	100NF 50V K	C532	VE-30000294	SMD CAP.	100NF 50V K
C368	VE-30000294	SMD CAP.	100NF 50V K	C533	VE-30000294	SMD CAP.	100NF 50V K
C369	VE-30000294	SMD CAP.	100NF 50V K	C537	VE-30000294	SMD CAP.	100NF 50V K
C370	VE-30000384	EL CAP.	2.2UF 50V M	C538	VE-30000294	SMD CAP.	100NF 50V K
C371	VE-30000109	MKT CAP.	470NF 63V J	C539	VE-30000294	SMD CAP.	100NF 50V K
C373	VE-30000371	EL CAP.	22UF 50V M	C540	VE-30000294	SMD CAP.	100NF 50V K
C374	VE-30000294	SMD CAP.	100NF 50V K	C570	VE-30000371	EL CAP.	22UF 50V M
C375	VE-30000362	EL CAP.	1UF 50V M	C571	VE-30000371	EL CAP.	22UF 50V M
C376	VE-30000332	SMD CAP.	4.7NF 50V K	C572	VE-30000371	EL CAP.	22UF 50V M
C377	VE-30000294	SMD CAP.	100NF 50V K	C573	VE-30000371	EL CAP.	22UF 50V M
C378	VE-30000345	EL CAP.	10UF 50V M	C576	VE-30000201	SMD CAP.	15PF 50V J
C379	VE-30000294	SMD CAP.	100NF 50V K	C577	VE-30000201	SMD CAP.	15PF 50V J
C385	VE-30000294	SMD CAP.	100NF 50V K	C580	VE-30000387	EL CAP.	33UF 50V M
C400	VE-30000294	SMD CAP.	100NF 50V K	C583	VE-30000294	SMD CAP.	100NF 50V K

[AV21BT7EPS / AV21BT7EPB]

Symbol No.	Part No.	Part Name	Description
CAPACITOR			
C590	VE-30000294	SMD CAP.	100NF 50V K
C596	VE-30000289	SMD CAP.	10NF 50V K R
C597	VE-30000289	SMD CAP.	10NF 50V K R
C598	VE-30000289	SMD CAP.	10NF 50V K R
C599	VE-30000334	SMD CAP.	47NF 50V K
C601	VE-30000355	EL CAP.	100UF 50V M
C603	VE-30000309	SMD CAP.	2.2NF 50V K R
C604	VE-30000107	MKT CAP.	47NF 250V J
C605	VE-30000075	MKT CAP.	100NF 250V K (DC)
C606	VE-30000406	EL CAP.	47UF 250V M (HR)
C607	VE-30000407	EL CAP.	470UF 16V M
C608	VE-30000325	SMD CAP.	33NF 50V K
C610	VE-30000131	MKT CAP.	100NF 250V J
C611	VE-30014422	MKT CAP.	7.2NF 1.6KV 3.5%
C612	VE-30000356	EL CAP.	100UF 63V M
C617	VE-30000156	MKT CAP.	430NF 250V J
C618	VE-30000394	EL CAP.	3.3UF 160V M
C625	VE-30000315	SMD CAP.	220NF 25V Z
C632	VE-30016086	EL CAP.	1000UF 25V 105°
C650	VE-30000280	SMD CAP.	820PF 50V J
C660	VE-30009208	CER CAP.	470PF 1KV K (PULSE)
C661	VE-30009208	CER CAP.	470PF 1KV K (PULSE)
C700	VE-30000190	CER CAP.	100PF 50V J CH
C702	VE-30000356	EL CAP.	100UF 63V M
C704	VE-30016085	EL CAP.	10UF 63V 105°
C705	VE-30000071	MKT CAP.	10NF 63V J
C706	VE-30000092	MKT CAP.	220NF 63V J
C707	VE-30000090	MKT CAP.	22NF 100V J
C708	VE-30000284	SMD CAP.	1NF 50V K R
C709	VE-30000294	SMD CAP.	100NF 50V K
C715	VE-30000284	SMD CAP.	1NF 50V K R
△ C801	VE-30000084	MKT CAP.	150NF 275V M AC P=15
△ C802	VE-30000084	MKT CAP.	150NF 275V M AC P=15
C803	VE-30000189	SMD CAP.	100PF 50V J
C804	VE-30000420	EL CAP.	150UF 400V M
C806	VE-30000342	CER CAP.	820PF 50V K B
C807	VE-30000074	MKT CAP.	100NF 63V J
C808	VE-30000284	SMD CAP.	1NF 50V K R
C809	VE-30000284	SMD CAP.	1NF 50V K R
C811	VE-30000161	MKT CAP.	47NF 630V J
C813	VE-30000411	EL CAP.	4700UF 16V M
C814	VE-30000294	SMD CAP.	100NF 50V K
C816	VE-30000295	CER CAP.	100NF 50V Z F
C817	VE-30000359	EL CAP.	1000UF 16V M
C819	VE-30000295	CER CAP.	100NF 50V Z F
C821	VE-30013533	CER CAP.	100PF 1KV K (PULSE)
C822	VE-30000295	CER CAP.	100NF 50V Z F
C823	VE-30000383	EL CAP.	2200UF 25V M
C824	VE-30013533	CER CAP.	100PF 1KV K (PULSE)
C825	VE-30000295	CER CAP.	100NF 50V Z F
C826	VE-30000383	EL CAP.	2200UF 25V M
C827	VE-30013533	CER CAP.	100PF 1KV K (PULSE)
C828	VE-30000359	EL CAP.	1000UF 16V M
C829	VE-30000406	EL CAP.	47UF 250V M (HR)
C830	VE-30000295	CER CAP.	100NF 50V Z F
C831	VE-30000198	CER CAP.	120PF 500V J SL
C832	VE-30000294	SMD CAP.	100NF 50V K
C833	VE-30007308	CER CAP.	220PF 1KV K (PULSE)
C835	VE-30007308	CER CAP.	220PF 1KV K (PULSE)
C845	VE-30000375	EL CAP.	220UF 16V M
C846	VE-30000433	CER CAP.	1NF 1KV M B
C847	VE-30000375	EL CAP.	220UF 16V M
C848	VE-30000353	EL CAP.	100UF 25V M
C850	VE-30000433	CER CAP.	1NF 1KV M B
C851	VE-30000433	CER CAP.	1NF 1KV M B
C852	VE-30000433	CER CAP.	1NF 1KV M B
C853	VE-30000289	SMD CAP.	10NF 50V K R
C854	VE-30008805	MKT CAP.	39NF 63V J
C855	VE-30000284	SMD CAP.	1NF 50V K R
△ C860	VE-30000440	CER CAP.	2.2NF 4KV M
C865	VE-30000440	CER CAP.	2.2NF 4KV M
C890	VE-30000396	EL CAP.	47UF 16V M
C891	VE-30000335	CER CAP.	47NF 50V Z F
C892	VE-30000295	CER CAP.	100NF 50V Z F

Symbol No.	Part No.	Part Name	Description
COIL			
L001	VE-30002016	FIXED COIL	150UH Q60 K
L002	VE-30010964	FERRITE BEAT	
L050	VE-30002015	FIXED COIL	150UH Q50 K (RAD)
L051	VE-30002015	FIXED COIL	150UH Q50 K (RAD)
L054	VE-30010964	FERRITE BEAT	
L201	VE-30001979	FIXED COIL	1UH Q45 M-A
L202	VE-30010964	FERRITE BEAT	
L301	VE-30001987	FIXED COIL	4.7UH Q70 K-A
L302	VE-30001987	FIXED COIL	4.7UH Q70 K-A
L303	VE-30001987	FIXED COIL	4.7UH Q70 K-A
L304	VE-30001986	FIXED COIL	3.3UH Q65 K
L305	VE-30001979	FIXED COIL	1UH Q45 M-A
L306	VE-30002002	FIXED COIL	47UH Q60 K
L307	VE-30002002	FIXED COIL	47UH Q60 K
L308	VE-30002002	FIXED COIL	47UH Q60 K
L309	VE-30002002	FIXED COIL	47UH Q60 K
L402	VE-30001986	FIXED COIL	3.3UH Q65 K
L403	VE-30001990	FIXED COIL	6.8UH Q75 K
L405	VE-30001992	FIXED COIL	10UH Q65 K-A
L406	VE-30001992	FIXED COIL	10UH Q65 K-A
L407	VE-30001992	FIXED COIL	10UH Q65 K-A
L502	VE-30001992	FIXED COIL	10UH Q65 K-A
L504	VE-30001992	FIXED COIL	10UH Q65 K-A
L505	VE-30001992	FIXED COIL	10UH Q65 K-A
L506	VE-30001992	FIXED COIL	10UH Q65 K-A
L515	VE-30001992	FIXED COIL	10UH Q65 K-A
L603	VE-30002149	LINEARITY COIL	50UH (06-06A)
L605	VE-30001999	FIXED COIL	40UH (LOSS COIL)
L801	VE-30001984	FIXED COIL	2.2UH Q55 M-AX
L803	VE-30002011	CHOKO COIL	150UH 0.82A RAD
DIODE			
D100	VE-30001284	DIODE	
D201	VE-30001284	DIODE	
D301	VE-30001369	DIODE	
D302	VE-30001284	DIODE	
D303	VE-30001283	DIODE	
D304	VE-30001283	DIODE	
D408	VE-30001347	DIODE ZENER	
D420	VE-30001285	DIODE	
D500	VE-30012412	DIODE ZENER	
D503	VE-30001284	DIODE	
D504	VE-30001284	DIODE	
D505	VE-30012412	DIODE ZENER	
D509	VE-30001284	DIODE	
D555	VE-30001285	DIODE	
D583	VE-30001284	DIODE	
D601	VE-30001318	DIODE	
D602	VE-30001285	DIODE	
D603	VE-30001284	DIODE	
D604	VE-30001377	DIODE ZENER	
D605	VE-30001318	DIODE	
D606	VE-30001318	DIODE	
D607	VE-30001285	DIODE	
D608	VE-30001284	DIODE	
D609	VE-30001318	DIODE	
D701	VE-30001284	DIODE	
D801	VE-30001329	DIODE	
D802	VE-30001329	DIODE	
D803	VE-30001329	DIODE	
D804	VE-30001329	DIODE	
D805	VE-30001318	DIODE	
D807	VE-30001318	DIODE	
D811	VE-30001315	DIODE	
D812	VE-30001315	DIODE	
D813	VE-30001288	DIODE	
D814	VE-30001307	DIODE	
D815	VE-30001307	DIODE	
D816	VE-30007681	DIODE	
D818	VE-30001318	DIODE	
D819	VE-30001346	DIODE ZENER	
D823	VE-30001284	DIODE	
D826	VE-30001318	DIODE	
D827	VE-30001318	DIODE	
D858	VE-30001371	DIODE ZENER	
D864	VE-30001285	DIODE	
D890	VE-30001284	DIODE	

[AV21BT7EPS / AV21BT7EPB]

△ Symbol No.	Part No.	Part Name	Description
TRANSISTOR			
Q055	VE-30001454	TR	
Q1	VE-30003729	TR	
Q100	VE-30001454	TR	
Q2	VE-30003729	TR	
Q301	VE-30001455	TR	
Q303	VE-30001454	TR	
Q304	VE-30001454	TR	
Q307	VE-30001454	TR	
Q402	VE-30001454	TR	
Q406	VE-30001454	TR	
Q415	VE-30001454	TR	
Q420	VE-30001454	TR	
Q503	VE-30001455	TR	
Q512	VE-30001455	TR	
Q514	VE-30001454	TR	
Q515	VE-30001454	TR	
Q516	VE-30001454	TR	
Q517	VE-30001454	TR	
Q518	VE-30001454	TR	
Q521	VE-30001454	TR	
Q522	VE-30001454	TR	
Q601	VE-30001455	TR	
Q604	VE-30001435	TR	
Q605	VE-30001440	TR	
Q701	VE-30001455	TR	
Q702	VE-30001454	TR	
Q802	VE-20073673	TR	
Q805	VE-30001454	TR	
Q806	VE-30001454	TR	
Q807	VE-30001454	TR	
Q809	VE-30001506	IC	
Q810	VE-30001384	TR	
Q890	VE-30001428	TR	
IC			
IC050	VE-30001619	IC	
IC100	VE-30001525	IC	
IC501	VE-20075294	IC (MYCOM)	
IC502	VE-20073413	IC (MEMORY)	
IC301	VE-30001664	IC	
IC307	VE-30001494	IC	
IC401	VE-30001575	IC	
IC701	VE-30001561	IC	
△ IC801	VE-30007069	IC	
IC802	VE-30001499	IC	
IC804	VE-20058533	IC	
IC805	VE-30001500	IC	
IC807	VE-30001622	IC	
OTHERS			
△ F801	VE-20000848	FUSE ASSY	(2.5A)
J129	VE-30001997	FIXED COIL	33UH Q60 J
J314	VE-20051395	MD. ASY. PR19Y-11PR19Y(PROTECTION CIR.)90°	
J500	VE-30010964	FERRITE BEAT	
LD501	VE-30001279	LED RED/GREEN	
MD501	VE-30001670	PREAMPLIFIER	
SW501	VE-30002178	SWITCH TACT SKHHLU	
SW502	VE-30002178	SWITCH TACT SKHHLU	
SW503	VE-30002178	SWITCH TACT SKHHLU	
SW504	VE-30002178	SWITCH TACT SKHHLU	
SW505	VE-30002178	SWITCH TACT SKHHLU	
△ SW801	VE-30002175	SWITCH ON/OFF	2.5A/100A
△ TH801	VE-30001268	THERMISTOR 3P	
△ TR601	VE-30002090	LINE DRIVER NEW TYPE	
△ TR602	VE-30002826	TRF FBT	
△ TR801	VE-30002100	LINE FILTER	
△ TR802	VE-30002083	TRF SMPS AK19 90°	(170-270V)
TU201	VE-30009637	TUNER	
VL301	VE-30002036	ADJ COIL	
VR301	VE-30001069	RES ADJ	0.15W 47K VER (MAN)
X301	VE-30001756	XTAL	
X401	VE-30001748	XTAL	

△ Symbol No.	Part No.	Part Name	Description
OTHERS			
X404	VE-30001745	XTAL	
X501	VE-30006662	XTAL	
Z209	VE-30001724	FILTER SER TRAP	
Z301	VE-30001708	FILTER SAW	
Z302	VE-30001692	FILTER SAW	
Z401	VE-30001692	FILTER SAW	

MULTI SOUND P.W. BOARD ASS'Y (VE-20079020)

△ Symbol No.	Part No.	Part Name	Description
RESISTOR			
R001	VE-30000631	SMD RES.	1/10W 2.7K J
R002	VE-30000631	SMD RES.	1/10W 2.7K J
R303	VE-30000469	SMD RES.	1/10W 1K J
R304	VE-30000717	SMD RES.	1/10W 470R J
R305	VE-30000717	SMD RES.	1/10W 470R J
R306	VE-30000464	SMD RES.	1/10W 100R J
R307	VE-30000464	SMD RES.	1/10W 100R J
R308	VE-30000464	SMD RES.	1/10W 100R J
R309	VE-30000660	CF RES.	1/4W 3.3K J
R310	VE-30000660	CF RES.	1/4W 3.3K J
R311	VE-30000531	CF RES.	1/4W 15K J
R313	VE-30000534	SMD RES.	1/10W 15K J
R314	VE-30000534	SMD RES.	1/10W 15K J
R315	VE-30000534	SMD RES.	1/10W 15K J
R316	VE-30000469	SMD RES.	1/10W 1K J
R319	VE-30000469	SMD RES.	1/10W 1K J
R321	VE-30000664	SMD RES.	1/10W 3.3K J
R331	VE-30000668	SMD RES.	1/10W 33K J
R332	VE-30000475	SMD RES.	1/10W 10K J
R333	VE-30000668	SMD RES.	1/10W 33K J
R334	VE-30000480	SMD RES.	1/10W 100K J
R340	VE-30000727	SMD RES.	1/10W 47K J
R341	VE-30000524	SMD RES.	1/10W 150R J
R343	VE-30001248	FUSE RES.	1/4W 4.7R J
R344	VE-30000766	SMD RES.	1/10W 620K J
R345	VE-30000499	SMD RES.	1/10W 1.2K J
R346	VE-30000835	SMD RES.	1/10W 910R J
R347	VE-30000563	SMD RES.	1/10W 1.8K J
R359	VE-30000464	SMD RES.	1/10W 100R J
R360	VE-30000464	SMD RES.	1/10W 100R J
R361	VE-30000464	SMD RES.	1/10W 100R J
R364	VE-30000464	SMD RES.	1/10W 100R J
R378	VE-30000471	CF RES.	1/4W 10K J
R379	VE-30000475	SMD RES.	1/10W 10K J
R399	VE-30000717	SMD RES.	1/10W 470R J
CAPACITOR			
C279	VE-30000263	SMD CAP.	56PF 50V J CH
C301	VE-30000216	SMD CAP.	1.8PF 50V J CH
C302	VE-30000216	SMD CAP.	1.8PF 50V J CH
C304	VE-30000289	SMD CAP.	10NF 50V K R
C306	VE-30000345	EL CAP.	10UF 50V M
C307	VE-30000294	SMD CAP.	100NF 50V K
C308	VE-30000074	MKT CAP.	100NF 63V J
C309	VE-30000345	EL CAP.	10UF 50V M
C316	VE-30000284	SMD CAP.	1NF 50V K R
C317	VE-30000284	SMD CAP.	1NF 50V K R
C318	VE-30000074	MKT CAP.	100NF 63V J
C319	VE-30000393	EL CAP.	3.3UF 50V M
C320	VE-30000294	SMD CAP.	100NF 50V K
C321	VE-30000345	EL CAP.	10UF 50V M
C322	VE-30000345	EL CAP.	10UF 50V M
C323	VE-30000345	EL CAP.	10UF 50V M
C326	VE-30000371	EL CAP.	22UF 50V M
C327	VE-30000371	EL CAP.	22UF 50V M
C328	VE-30000284	SMD CAP.	1NF 50V K R

[AV21BT7EPS / AV21BT7EPB]

Symbol No.	Part No.	Part Name	Description
CAPACITOR			
C329	VE-30000284	SMD CAP.	1NF 50V K R
C330	VE-30000284	SMD CAP.	1NF 50V K R
C331	VE-30000284	SMD CAP.	1NF 50V K R
C332	VE-30000417	EL CAP.	6.8UF 50V M
C333	VE-30000294	SMD CAP.	100NF 50V K
C334	VE-30000345	EL CAP.	10UF 50V M
C335	VE-30000252	SMD CAP.	47PF 50V J
C336	VE-30000252	SMD CAP.	47PF 50V J
C338	VE-30000371	EL CAP.	22UF 50V M
C339	VE-30000256	SMD CAP.	470PF 50V J
C340	VE-30000100	MKT CAP.	330NF 63V J
C341	VE-30000256	SMD CAP.	470PF 50V J
C342	VE-30000100	MKT CAP.	330NF 63V J
C343	VE-30000224	SMD CAP.	220PF 50V J
C344	VE-30000100	MKT CAP.	330NF 63V J
C346	VE-30000224	SMD CAP.	220PF 50V J
C347	VE-30000371	EL CAP.	22UF 50V M
C348	VE-30000224	SMD CAP.	220PF 50V J
C349	VE-30000100	MKT CAP.	330NF 63V J
C350	VE-30000224	SMD CAP.	220PF 50V J
C351	VE-30000100	MKT CAP.	330NF 63V J
C352	VE-30000224	SMD CAP.	220PF 50V J
C353	VE-30000100	MKT CAP.	330NF 63V J
C355	VE-30000284	SMD CAP.	1NF 50V K R
C357	VE-30000294	SMD CAP.	100NF 50V K
C358	VE-30000100	MKT CAP.	330NF 63V J
C364	VE-30000284	SMD CAP.	1NF 50V K R
C365	VE-30000384	EL CAP.	2.2UF 50V M
C366	VE-30000294	SMD CAP.	100NF 50V K
C367	VE-30000294	SMD CAP.	100NF 50V K
C368	VE-30000294	SMD CAP.	100NF 50V K
C369	VE-30000294	SMD CAP.	100NF 50V K
C370	VE-30000384	EL CAP.	2.2UF 50V M
C371	VE-30000109	MKT CAP.	470NF 63V J
C373	VE-30000371	EL CAP.	22UF 50V M
C374	VE-30000294	SMD CAP.	100NF 50V K
C375	VE-30000362	EL CAP.	1UF 50V M
C376	VE-30000332	SMD CAP.	4.7NF 50V K
C377	VE-30000294	SMD CAP.	100NF 50V K
C378	VE-30000345	EL CAP.	10UF 50V M
C379	VE-30000294	SMD CAP.	100NF 50V K
C385	VE-30000294	SMD CAP.	100NF 50V K
C400	VE-30000294	SMD CAP.	100NF 50V K
C401	VE-30000371	EL CAP.	22UF 50V M
C402	VE-30000387	EL CAP.	33UF 50V M
C403	VE-30000294	SMD CAP.	100NF 50V K
C404	VE-30000284	SMD CAP.	1NF 50V K R
C405	VE-30000294	SMD CAP.	100NF 50V K
C406	VE-30000284	SMD CAP.	1NF 50V K R
C407	VE-30000284	SMD CAP.	1NF 50V K R
COIL			
L301	VE-30001987	FIXED COIL	4.7UH Q70 K-A
L302	VE-30001987	FIXED COIL	4.7UH Q70 K-A
L303	VE-30001987	FIXED COIL	4.7UH Q70 K-A
L304	VE-30001986	FIXED COIL	3.3UH Q65 K
L305	VE-30001979	FIXED COIL	1UH Q45 M-A
L306	VE-30002002	FIXED COIL	47UH Q60 K
L307	VE-30002002	FIXED COIL	47UH Q60 K
L308	VE-30002002	FIXED COIL	47UH Q60 K
L309	VE-30002002	FIXED COIL	47UH Q60 K
DIODE			
D301	VE-30001369	DIODE ZENER	
D302	VE-30001284	DIODE	
D303	VE-30001283	DIODE	
D304	VE-30001283	DIODE	

Symbol No.	Part No.	Part Name	Description
TRANSISTOR			
Q301	VE-30001455	TR BC558B	
Q303	VE-30001454	TR BC548B	
Q304	VE-30001454	TR BC548B	
Q307	VE-30001454	TR BC548B	
IC			
IC301	VE-30001664	IC	
IC307	VE-30001494	IC	
OTHERS			
PL300	VE-30001809	CONN.FEMALE 12P MOLEX	
PL301	VE-30001811	CONN.FEMALE 14P MOLEX	
PL304	VE-30001844	CONN.MALE 3P SIDE GREEN	
VL301	VE-30002036	ADJ COIL	VIF 38.9MHZ C=12PF
VR301	VE-30001069	RES ADJ 0.15W 47K VER (MAN)	
X301	VE-30001756	XTAL 18.432MHZ	
Z301	VE-30001708	FILTER SAW	
Z302	VE-30001692	FILTER SAW	

CRT SOCKET P.W. BOARD ASS'Y (VE-20074437)

Refer to PARTS LIST in page 24 for this P.W. board.

FRONT AV P.W. BOARD ASS'Y (VE-20076582)

Refer to PARTS LIST in page 24 for this P.W. board.

HEAD PHONE P.W. BOARD ASS'Y (VE-20075217)

Refer to PARTS LIST in page 24 for this P.W. board.

PRINTED WIRING BOARD PARTS LIST

[AV21BT7EES / AV21BT7EEB]

MAIN P.W. BOARD ASS'Y (VE-20073418)

△ Symbol No.	Part No.	Part Name	Description	△ Symbol No.	Part No.	Part Name	Description
RESISTOR				RESISTOR			
R001	VE-30000631	SMD RES.	1/10W 2.7K J	R402	VE-30000706	CF RES.	1/4W 47R J
R002	VE-30000631	SMD RES.	1/10W 2.7K J	R403	VE-30000659	SMD RES.	1/10W 330R J
R010	VE-30000797	SMD RES.	1/10W 75R J	R404	VE-30000688	SMD RES.	1/10W 390R J
R011	VE-30000480	SMD RES.	1/10W 100K J	R405	VE-30000469	SMD RES.	1/10W 1K J
R012	VE-30000480	SMD RES.	1/10W 100K J	R407	VE-30000459	CF RES.	1/4W 100R J
R014	VE-30000477	CF RES.	1/4W 100K J	R418	VE-30000735	SMD RES.	1/10W 4.7R J
R015	VE-30000480	SMD RES.	1/10W 100K J	R419	VE-30000710	SMD RES.	1/10W 47R J
R040	VE-30000797	SMD RES.	1/10W 75R J	R420	VE-30000593	SMD RES.	1/10W 2.2K J
R041	VE-30000797	SMD RES.	1/10W 75R J	R421	VE-30000489	SMD RES.	1/10W 1.2K J
R044	VE-30000459	CF RES.	1/4W 100R J	R422	VE-30000558	SMD RES.	1/10W 180R J
R045	VE-30000524	SMD RES.	1/10W 150R J	R426	VE-30000659	SMD RES.	1/10W 330R J
R049	VE-30000717	SMD RES.	1/10W 470R J	R428	VE-30000650	CF RES.	1/4W 33R J
R050	VE-30000464	SMD RES.	1/10W 100R J	R429	VE-30000524	SMD RES.	1/10W 150R J
R051	VE-30000464	SMD RES.	1/10W 100R J	R431	VE-30000459	CF RES.	1/4W 100R J
R065	VE-30000797	SMD RES.	1/10W 75R J	R432	VE-30000459	CF RES.	1/4W 100R J
R066	VE-30000774	SMD RES.	1/10W 680R J	R433	VE-30000475	SMD RES.	1/10W 10K J
R067	VE-30000469	SMD RES.	1/10W 1K J	R437	VE-30000469	SMD RES.	1/10W 1K J
R068	VE-30000774	SMD RES.	1/10W 680R J	R438	VE-30000489	SMD RES.	1/10W 1.2K J
R069	VE-30000469	SMD RES.	1/10W 1K J	R439	VE-30000489	SMD RES.	1/10W 1.2K J
R070	VE-30000588	SMD RES.	1/10W 220R J	R440	VE-30000489	SMD RES.	1/10W 1.2K J
R071	VE-30000588	SMD RES.	1/10W 220R J	R446	VE-30000480	SMD RES.	1/10W 100K J
R072	VE-30000588	SMD RES.	1/10W 220R J	R447	VE-30000464	SMD RES.	1/10W 100R J
R073	VE-30000797	SMD RES.	1/10W 75R J	R448	VE-30000466	CF RES.	1/4W 1K J
R075	VE-30000653	SMD RES.	1/10W 33R J	R449	VE-30000489	SMD RES.	1/10W 1R J
R078	VE-30000774	SMD RES.	1/10W 680R J	R450	VE-30000631	SMD RES.	1/10W 2.7K J
R079	VE-30000469	SMD RES.	1/10W 1K J	R451	VE-30000633	CF RES.	1/4W 27K J
R080	VE-30000774	SMD RES.	1/10W 680R J	R454	VE-30000534	SMD RES.	1/10W 15K J
R081	VE-30000469	SMD RES.	1/10W 1K J	R456	VE-30000550	SMD RES.	1/10W 160K J
R082	VE-30000469	SMD RES.	1/10W 1K J	R457	VE-30000606	SMD RES.	1/10W 2.2H J
R083	VE-30000653	SMD RES.	1/10W 33R J	R458	VE-30000732	SMD RES.	1/10W 470K J
R084	VE-30000710	SMD RES.	1/10W 47R J	R459	VE-30000697	SMD RES.	1/10W 39K G
R094	VE-30000475	SMD RES.	1/10W 10K J	R460	VE-30000770	CF RES.	1/4W 680R J
R095	VE-30000475	SMD RES.	1/10W 10K J	R465	VE-30000658	SMD RES.	1/10W 82R J
R096	VE-30000475	SMD RES.	1/10W 10K J	R480	VE-30000751	SMD RES.	1/10W 5.6K J
R097	VE-30000529	SMD RES.	1/10W 1.5K J	R481	VE-30000751	SMD RES.	1/10W 5.6K J
R098	VE-30000475	SMD RES.	1/10W 10K J	R482	VE-30000751	SMD RES.	1/10W 5.6K J
R099	VE-30000475	SMD RES.	1/10W 10K J	R483	VE-30000593	SMD RES.	1/10W 2.2K J
R100	VE-30000727	SMD RES.	1/10W 47K J	R484	VE-30000752	CF RES.	1/4W 56K J
R101	VE-30000471	CF RES.	1/4W 10K J	R486	VE-30000721	SMD RES.	1/10W 4.7K J
R102	VE-30000747	SMD RES.	1/10W 560R J	R488	VE-30000471	CF RES.	1/4W 10K J
R103	VE-30000710	SMD RES.	1/10W 47R J	R489	VE-30000727	SMD RES.	1/10W 47K J
R104	VE-30000457	SMD RES.	1/10W 10R J	R490	VE-30000751	SMD RES.	1/10W 5.6K J
R105	VE-30000457	SMD RES.	1/10W 10R J	R492	VE-30000588	SMD RES.	1/10W 220R J
R106	VE-30000567	SMD RES.	1/10W 18K J	R493	VE-30000588	SMD RES.	1/10W 220R J
R108	VE-30000564	CF RES.	1/4W 18K J	R494	VE-30000526	CF RES.	1/4W 1.5K J
R200	VE-30000503	SMD RES.	1/10W 12K J	R498	VE-30000563	SMD RES.	1/10W 1.8K J
R201	VE-30000723	CF RES.	1/4W 47K J	R500	VE-30000469	SMD RES.	1/10W 1K J
R202	VE-30000459	CF RES.	1/4W 100R J	R502	VE-30000469	SMD RES.	1/10W 1K J
R203	VE-30000471	CF RES.	1/4W 10K J	R503	VE-30000469	SMD RES.	1/10W 1K J
R208	VE-30000459	CF RES.	1/4W 100R J	R507	VE-30000469	SMD RES.	1/10W 1K J
R209	VE-30000459	CF RES.	1/4W 100R J	R512	VE-30000727	SMD RES.	1/10W 47K J
R213	VE-30000597	SMD RES.	1/10W 22K J	R513	VE-30000727	SMD RES.	1/10W 47K J
R300	VE-30000529	SMD RES.	1/10W 1.5K J	R514	VE-30000727	SMD RES.	1/10W 47K J
R303	VE-30000469	SMD RES.	1/10W 1K J	R515	VE-30000727	SMD RES.	1/10W 47K J
R304	VE-30000717	SMD RES.	1/10W 470R J	R516	VE-30000464	SMD RES.	1/10W 100R J
R305	VE-30000717	SMD RES.	1/10W 470R J	R517	VE-30000464	SMD RES.	1/10W 100R J
R306	VE-30000464	SMD RES.	1/10W 100R J	R523	VE-30000475	SMD RES.	1/10W 10K J
R307	VE-30000464	SMD RES.	1/10W 100R J	R524	VE-30000475	SMD RES.	1/10W 10K J
R308	VE-30000464	SMD RES.	1/10W 100R J	R527	VE-30000721	SMD RES.	1/10W 4.7K J
R309	VE-30000660	CF RES.	1/4W 3.3K J	R528	VE-30000560	CF RES.	1/4W 1.8K J
R310	VE-30000660	CF RES.	1/4W 3.3K J	R529	VE-30000560	CF RES.	1/4W 1.8K J
R311	VE-30000531	CF RES.	1/4W 15K J	R530	VE-30000560	CF RES.	1/4W 1.8K J
R313	VE-30000534	SMD RES.	1/10W 15K J	R532	VE-30000475	SMD RES.	1/10W 10K J
R314	VE-30000534	SMD RES.	1/10W 15K J	R533	VE-30000721	SMD RES.	1/10W 4.7K J
R315	VE-30000534	SMD RES.	1/10W 15K J	R535	VE-30000721	SMD RES.	1/10W 4.7K J
R341	VE-30000524	SMD RES.	1/10W 150R J	R537	VE-30000593	SMD RES.	1/10W 2.2K J
R343	VE-30001248	FUSE RES.	1/4W 4.7R J	R538	VE-30000475	SMD RES.	1/10W 10K J
R359	VE-30000464	SMD RES.	1/10W 100R J	R539	VE-30000475	SMD RES.	1/10W 10K J
R360	VE-30000464	SMD RES.	1/10W 100R J	R540	VE-30000818	SMD RES.	1/10W 8.2K J
R364	VE-30000464	SMD RES.	1/10W 100R J	R541	VE-30000721	SMD RES.	1/10W 4.7K J
R378	VE-30000471	CF RES.	1/4W 10K J	R542	VE-30000721	SMD RES.	1/10W 4.7K J
R379	VE-30000475	SMD RES.	1/10W 10K J	R543	VE-30000717	SMD RES.	1/10W 470R J
R399	VE-30000717	SMD RES.	1/10W 470R J	R548	VE-30000721	SMD RES.	1/10W 4.7K J
R400	VE-30000717	SMD RES.	1/10W 470R J	R549	VE-30000531	CF RES.	1/4W 15K J

[AV21BT7EES / AV21BT7EEB]

△ Symbol No.	Part No.	Part Name	Description
RESISTOR			
R550	VE-30000721	SMD RES.	1/10W 4.7K J
R551	VE-30000475	SMD RES.	1/10W 10K J
R552	VE-30000593	SMD RES.	1/10W 2.2K J
R554	VE-30000815	CF RES.	1/4W 8.2K J
R556	VE-30000567	SMD RES.	1/10W 18K J
R559	VE-30000588	SMD RES.	1/10W 220R J
R560	VE-30000469	SMD RES.	1/10W 1K J
R561	VE-30000692	SMD RES.	1/10W 3.9K J
R562	VE-30000471	CF RES.	1/4W 10K J
R563	VE-30000471	CF RES.	1/4W 10K J
R564	VE-30000475	SMD RES.	1/10W 10K J
R565	VE-30000475	SMD RES.	1/10W 10K J
R566	VE-30010167	SMD RES.	1/10W 56R J
R568	VE-30000475	SMD RES.	1/10W 10K J
R569	VE-30000459	CF RES.	1/4W 100R J
R570	VE-30000531	CF RES.	1/4W 15K J
R571	VE-30000466	CF RES.	1/4W 1K J
R572	VE-30000475	SMD RES.	1/10W 10K J
R573	VE-30000721	SMD RES.	1/10W 4.7K J
R574	VE-30000692	SMD RES.	1/10W 3.9K J
R577	VE-30000475	SMD RES.	1/10W 10K J
R578	VE-30000475	SMD RES.	1/10W 10K J
R579	VE-30000721	SMD RES.	1/10W 4.7K J
R580	VE-30000464	SMD RES.	1/10W 100R J
R581	VE-30000588	SMD RES.	1/10W 220R J
R582	VE-30000464	SMD RES.	1/10W 100R J
R583	VE-30000475	SMD RES.	1/10W 10K J
R584	VE-30000563	SMD RES.	1/10W 1.8K J
R585	VE-30000712	CF RES.	1/4W 470R J
R586	VE-30000480	SMD RES.	1/10W 100K J
R587	VE-30000712	CF RES.	1/4W 470R J
R590	VE-30000721	SMD RES.	1/10W 4.7K J
R594	VE-30000475	SMD RES.	1/10W 10K J
R595	VE-30000475	SMD RES.	1/10W 10K J
R596	VE-30000475	SMD RES.	1/10W 10K J
R601	VE-30000471	CF RES.	1/4W 10K J
R602	VE-30000464	SMD RES.	1/10W 100R J
R605	VE-30000466	CF RES.	1/4W 1K J
R610	VE-30001125	MO RES.	2W 2.2K J
△ R611	VE-30001215	FUSE RES.	1W 1R J
R613	VE-30000837	CF RES.	1/4W 9.1K J
R614	VE-30000815	CF RES.	1/4W 8.2K J
R615	VE-30000837	CF RES.	1/4W 9.1K J
R617	VE-30000599	CF RES.	1/4W 220K J
R618	VE-30000464	SMD RES.	1/10W 100R J
R619	VE-30000815	CF RES.	1/4W 8.2K J
R620	VE-30001082	MO RES.	1/2W 1K J
R621	VE-30000459	CF RES.	1/4W 100R J
△ R626	VE-30000466	CF RES.	1/4W 1K J
R628	VE-30001230	FUSE RES.	1/2W 27R J
R630	VE-30001082	MO RES.	1/2W 1K J
R700	VE-30000466	CF RES.	1/4W 1K J
R702	VE-30000452	CF RES.	1/4W 10R J
R703	VE-30000911	MF RES.	1/4W 1.8R J
△ R704	VE-30001251	FUSE RES.	1/2W 56R J
R705	VE-30000580	CF RES.	1/4W 22R J
R706	VE-30000949	MF RES.	1/4W 3K G
R707	VE-30000655	CF RES.	1/4W 330R J
R708	VE-30000469	SMD RES.	1/10W 1K J
R709	VE-30000475	SMD RES.	1/10W 10K J
R710	VE-30000718	CF RES.	1/4W 4.7K J
R711	VE-30000500	CF RES.	1/4W 12K J
R714	VE-30000459	CF RES.	1/4W 100R J
R715	VE-30000459	CF RES.	1/4W 100R J
R716	VE-30000466	CF RES.	1/4W 1K J
R717	VE-30000712	CF RES.	1/4W 470R J
R805	VE-30000633	CF RES.	1/4W 27K J
R806	VE-30001129	MO RES.	3W 22K J
R807	VE-30000466	CF RES.	1/4W 1K J
R808	VE-30007029	SMD RES.	1/10W 9.1K J
R809	VE-30000469	SMD RES.	1/10W 1K J
R810	VE-30000597	SMD RES.	1/10W 22K J
R811	VE-30000597	SMD RES.	1/10W 22K J
R812	VE-30000519	CF RES.	1/4W 150R J
R813	VE-30000475	SMD RES.	1/10W 10K J
R814	VE-30000706	CF RES.	1/4W 47R J
R816	VE-30000540	CF RES.	1/2W 1.5M J (400V)

△ Symbol No.	Part No.	Part Name	Description
RESISTOR			
R817	VE-30001260	HW RES.	5W 2.2R J RAD.
R818	VE-30000466	CF RES.	1/4W 1K J
R821	VE-30000602	SMD RES.	1/10W 220K J
R822	VE-30001156	MO RES.	5W 33K J
R823	VE-30001037	MF RES.	1/4W 99K F
R824	VE-30000925	MF RES.	1/4W 2.2K F
R828	VE-30007759	CF RES.	1W 47K J
R829	VE-30000469	SMD RES.	1/10W 1K J
R831	VE-30000471	CF RES.	1/4W 10K J
R832	VE-30000721	SMD RES.	1/10W 4.7K J
R833	VE-30000710	SMD RES.	1/10W 47R J
R834	VE-30000818	SMD RES.	1/10W 8.2K J
R835	VE-30000580	CF RES.	1/4W 22R J
R836	VE-30000706	CF RES.	1/4W 47R J
△ R844	VE-30000471	CF RES.	1/4W 10K J
R845	VE-30001257	MG RES.	1/2W 4.7M J
R849	VE-30000534	SMD RES.	1/10W 15K J
R850	VE-30000569	CF RES.	1/4W 180K J
R868	VE-30000810	CF RES.	1/4W 820R J
R869	VE-30000810	CF RES.	1/4W 820R J
R870	VE-30001159	MO RES.	1W 0.33R J
R871	VE-30000471	CF RES.	1/4W 10K J
R872	VE-30007786	SMD RES.	1/10W 2.55K F
R873	VE-30012852	SMD RES.	1/10W 3.9K F
R879	VE-30000718	CF RES.	1/4W 4.7K J
R885	VE-30000475	SMD RES.	1/10W 10K J
R886	VE-30000475	SMD RES.	1/10W 10K J
R888	VE-30000503	SMD RES.	1/10W 12K J
R890	VE-30001089	MO RES.	2W 1R J
R891	VE-30000466	CF RES.	1/4W 1K J
R892	VE-30000471	CF RES.	1/4W 10K J
R893	VE-30000477	CF RES.	1/4W 100K J
R894	VE-30000660	CF RES.	1/4W 3.3K J
R895	VE-30000638	CF RES.	1/4W 270K J
CAPACITOR			
C01	VE-30000332	SMD CAP.	4.7NF 50V K
C010	VE-30000294	SMD CAP.	100NF 50V K
C011	VE-30000294	SMD CAP.	100NF 50V K
C012	VE-30000294	SMD CAP.	100NF 50V K
C013	VE-30000375	EL CAP.	220UF 16V M
C02	VE-30000332	SMD CAP.	4.7NF 50V K
C028	VE-30000352	EL CAP.	100UF 16V M
C029	VE-30000294	SMD CAP.	100NF 50V K
C03	VE-30000332	SMD CAP.	4.7NF 50V K
C030	VE-30000294	SMD CAP.	100NF 50V K
C031	VE-30000294	SMD CAP.	100NF 50V K
C032	VE-30000294	SMD CAP.	100NF 50V K
C04	VE-30000332	SMD CAP.	4.7NF 50V K
C051	VE-30000315	SMD CAP.	220NF 25V Z
C052	VE-30000294	SMD CAP.	100NF 50V K
C053	VE-30000315	SMD CAP.	220NF 25V Z
C054	VE-30000315	SMD CAP.	220NF 25V Z
C059	VE-30000300	SMD CAP.	1.5NF 50V K
C060	VE-30000300	SMD CAP.	1.5NF 50V K
C061	VE-30000242	SMD CAP.	330PF 50V J
C062	VE-30000242	SMD CAP.	330PF 50V J
C064	VE-30000300	SMD CAP.	1.5NF 50V K
C065	VE-30000300	SMD CAP.	1.5NF 50V K
C066	VE-30000242	SMD CAP.	330PF 50V J
C067	VE-30000242	SMD CAP.	330PF 50V J
C068	VE-30000345	EL CAP.	10UF 50V M
C071	VE-30000315	SMD CAP.	220NF 25V Z
C072	VE-30000294	SMD CAP.	100NF 50V K
C073	VE-30000294	SMD CAP.	100NF 50V K
C095	VE-30000289	SMD CAP.	10NF 50V K R
C097	VE-30000189	SMD CAP.	100PF 50V J
C098	VE-30000224	SMD CAP.	220PF 50V J
C099	VE-30000189	SMD CAP.	100PF 50V J
C101	VE-30000336	SMD CAP.	5.6NF 50V K
C102	VE-30000345	EL CAP.	10UF 50V M
C107	VE-30000336	SMD CAP.	5.6NF 50V K
C108	VE-30000312	SMD CAP.	22NF 50V K
C109	VE-30000332	SMD CAP.	4.7NF 50V K
C110	VE-30000312	SMD CAP.	22NF 50V K
C111	VE-30000332	SMD CAP.	4.7NF 50V K

[AV21BT7EES / AV21BT7EEB]

△ Symbol No.	Part No.	Part Name	Description	△ Symbol No.	Part No.	Part Name	Description
CAPACITOR				CAPACITOR			
C112	VE-30000109	MKT CAP.	470NF 63V J	C407	VE-30000384	EL CAP.	2.2UF 50V M
C113	VE-30000109	MKT CAP.	470NF 63V J	C408	VE-30000283	CER CAP.	1NF 50V K B
C116	VE-30000082	MKT CAP.	15NF 63V J	C409	VE-30000334	SMD CAP.	47NF 50V K
C117	VE-30000082	MKT CAP.	15NF 63V J	C410	VE-30000345	EL CAP.	10UF 50V M
C201	VE-30000352	EL CAP.	100UF 16V M	C411	VE-30000334	SMD CAP.	47NF 50V K
C203	VE-30000345	EL CAP.	10UF 50V M	C412	VE-30000312	SMD CAP.	22NF 50V K
C204	VE-30000345	EL CAP.	10UF 50V M	C413	VE-30000375	EL CAP.	220UF 16V M
C211	VE-30000294	SMD CAP.	100NF 50V K	C415	VE-30000092	MKT CAP.	220NF 63V J
C212	VE-30000190	CER CAP.	100PF 50V J CH	C416	VE-30000312	SMD CAP.	22NF 50V K
C279	VE-30000263	SMD CAP.	56PF 50V J CH	C417	VE-30000312	SMD CAP.	22NF 50V K
C301	VE-30000216	SMD CAP.	1.8PF 50V J CH	C418	VE-30000312	SMD CAP.	22NF 50V K
C302	VE-30000216	SMD CAP.	1.8PF 50V J CH	C419	VE-30000315	SMD CAP.	220NF 50V Z
C304	VE-30000289	SMD CAP.	10NF 50V K R	C421	VE-30000220	SMD CAP.	22PF 50V J
C306	VE-30000345	EL CAP.	10UF 50V M	C422	VE-30000220	SMD CAP.	22PF 50V J
C307	VE-30000294	SMD CAP.	100NF 50V K	C423	VE-30000322	SMD CAP.	3.3NF 50V K
C308	VE-30000074	MKT CAP.	100NF 63V J	C424	VE-30000294	SMD CAP.	100NF 50V K
C309	VE-30000345	EL CAP.	10UF 50V M	C425	VE-30000312	SMD CAP.	22NF 50V K
C316	VE-30000284	SMD CAP.	1NF 50V K R	C426	VE-30000353	EL CAP.	100UF 25V M
C317	VE-30000284	SMD CAP.	1NF 50V K R	C427	VE-30000294	SMD CAP.	100NF 50V K
C318	VE-30000074	MKT CAP.	100NF 63V J	C428	VE-30000345	EL CAP.	10UF 50V M
C319	VE-30000393	EL CAP.	3.3UF 50V M	C430	VE-30000309	SMD CAP.	2.2NF 50V K R
C320	VE-30000294	SMD CAP.	100NF 50V K	C431	VE-30000362	EL CAP.	1UF 50V M
C321	VE-30000345	EL CAP.	10UF 50V M	C432	VE-30000413	EL CAP.	4.7UF 50V M
C322	VE-30000345	EL CAP.	10UF 50V M	C433	VE-30000284	SMD CAP.	1NF 50V K R
C323	VE-30000345	EL CAP.	10UF 50V M	C434	VE-30000284	SMD CAP.	1NF 50V K R
C326	VE-30000371	EL CAP.	22UF 50V M	C435	VE-30000074	MKT CAP.	100NF 63V J
C327	VE-30000371	EL CAP.	22UF 50V M	C436	VE-30000074	MKT CAP.	100NF 63V J
C328	VE-30000284	SMD CAP.	1NF 50V K R	C437	VE-30000362	EL CAP.	1UF 50V M
C329	VE-30000284	SMD CAP.	1NF 50V K R	C438	VE-30000312	SMD CAP.	22NF 50V K
C330	VE-30000284	SMD CAP.	1NF 50V K R	C439	VE-30000284	SMD CAP.	1NF 50V K R
C331	VE-30000284	SMD CAP.	1NF 50V K R	C440	VE-30000345	EL CAP.	10UF 50V M
C332	VE-30000417	EL CAP.	6.8UF 50V M	C446	VE-30000252	SMD CAP.	47PF 50V J
C333	VE-30000294	SMD CAP.	100NF 50V K	C447	VE-30000252	SMD CAP.	47PF 50V J
C334	VE-30000345	EL CAP.	10UF 50V M	C448	VE-30000189	SMD CAP.	100PF 50V J
C335	VE-30000252	SMD CAP.	47PF 50V J	C450	VE-30000294	SMD CAP.	100NF 50V K
C336	VE-30000252	SMD CAP.	47PF 50V J	C451	VE-30000290	CER CAP.	10NF 50V Z F
C338	VE-30000371	EL CAP.	22UF 50V M	C452	VE-30000290	CER CAP.	10NF 50V Z F
C339	VE-30000256	SMD CAP.	470PF 50V J	C453	VE-30000312	SMD CAP.	22NF 50V K
C340	VE-30000100	MKT CAP.	330NF 63V J	C459	VE-30000332	SMD CAP.	4.7NF 50V K
C341	VE-30000256	SMD CAP.	470PF 50V J	C465	VE-30000300	SMD CAP.	1.5NF 50V K
C342	VE-30000100	MKT CAP.	330NF 63V J	C490	VE-30000284	SMD CAP.	1NF 50V K R
C343	VE-30000224	SMD CAP.	220PF 50V J	C497	VE-30000300	SMD CAP.	1.5NF 50V K
C344	VE-30000100	MKT CAP.	330NF 63V J	C498	VE-30000189	SMD CAP.	100PF 50V J
C346	VE-30000224	SMD CAP.	220PF 50V J	C499	VE-30000300	SMD CAP.	1.5NF 50V K
C347	VE-30000371	EL CAP.	22UF 50V M	C505	VE-30000294	SMD CAP.	100NF 50V K
C348	VE-30000224	SMD CAP.	220PF 50V J	C513	VE-30000294	SMD CAP.	100NF 50V K
C349	VE-30000100	MKT CAP.	330NF 63V J	C514	VE-30000345	EL CAP.	10UF 50V M
C350	VE-30000224	SMD CAP.	220PF 50V J	C516	VE-30000371	EL CAP.	22UF 50V M
C351	VE-30000100	MKT CAP.	330NF 63V J	C517	VE-30000352	EL CAP.	100UF 16V M
C352	VE-30000224	SMD CAP.	220PF 50V J	C521	VE-30000109	MKT CAP.	470NF 63V J
C353	VE-30000100	MKT CAP.	330NF 63V J	C524	VE-30000237	SMD CAP.	33PF 50V J
C355	VE-30000284	SMD CAP.	1NF 50V K R	C525	VE-30000237	SMD CAP.	33PF 50V J
C357	VE-30000294	SMD CAP.	100NF 50V K	C526	VE-30000294	SMD CAP.	100NF 50V K
C358	VE-30000345	EL CAP.	10UF 50V M	C530	VE-30000294	SMD CAP.	100NF 50V K
C361	VE-30000464	SMD RES.	1/10W 100R J	C531	VE-30000294	SMD CAP.	100NF 50V K
C364	VE-30000284	SMD CAP.	1NF 50V K R	C532	VE-30000294	SMD CAP.	100NF 50V K
C365	VE-30000384	EL CAP.	2.2UF 50V M	C533	VE-30000294	SMD CAP.	100NF 50V K
C366	VE-30000294	SMD CAP.	100NF 50V K	C537	VE-30000294	SMD CAP.	100NF 50V K
C368	VE-30000294	SMD CAP.	100NF 50V K	C538	VE-30000294	SMD CAP.	100NF 50V K
C369	VE-30000294	SMD CAP.	100NF 50V K	C539	VE-30000294	SMD CAP.	100NF 50V K
C370	VE-30000384	EL CAP.	2.2UF 50V M	C540	VE-30000294	SMD CAP.	100NF 50V K
C371	VE-30000109	MKT CAP.	470NF 63V J	C570	VE-30000371	EL CAP.	22UF 50V M
C373	VE-30000371	EL CAP.	22UF 50V M	C571	VE-30000371	EL CAP.	22UF 50V M
C374	VE-30000294	SMD CAP.	100NF 50V K	C572	VE-30000371	EL CAP.	22UF 50V M
C379	VE-30000294	SMD CAP.	100NF 50V K	C573	VE-30000371	EL CAP.	22UF 50V M
C385	VE-30000294	SMD CAP.	100NF 50V K	C576	VE-30000201	SMD CAP.	15PF 50V J
C400	VE-30000294	SMD CAP.	100NF 50V K	C577	VE-30000201	SMD CAP.	15PF 50V J
C401	VE-30000371	EL CAP.	22UF 50V M	C580	VE-30000387	EL CAP.	33UF 50V M
C402	VE-30000345	EL CAP.	10UF 50V M	C583	VE-30000294	SMD CAP.	100NF 50V K
C403	VE-30000074	MKT CAP.	100NF 63V J	C590	VE-30000294	SMD CAP.	100NF 50V K
C403	VE-30000294	SMD CAP.	100NF 50V K	C596	VE-30000289	SMD CAP.	10NF 50V K R
C404	VE-30000284	SMD CAP.	1NF 50V K R	C597	VE-30000289	SMD CAP.	10NF 50V K R
C405	VE-30000294	SMD CAP.	100NF 50V K	C598	VE-30000289	SMD CAP.	10NF 50V K R
C405	VE-30000345	EL CAP.	10UF 50V M	C599	VE-30000334	SMD CAP.	47NF 50V K
C406	VE-30000284	SMD CAP.	1NF 50V K R	C601	VE-30000355	EL CAP.	100UF 50V M
C406	VE-30000313	CER CAP.	22NF 50V Z F	C603	VE-30000309	SMD CAP.	2.2NF 50V K R
C407	VE-30000284	SMD CAP.	1NF 50V K R	C604	VE-30000107	MKT CAP.	47NF 250V J

[AV21BT7EES / AV21BT7EEB]

△ Symbol No.	Part No.	Part Name	Description
CAPACITOR			
C605	VE-30000075	MKT CAP.	100NF 250V K (DC)
C606	VE-30000406	EL CAP.	47UF 250V M (HR)
C607	VE-30000407	EL CAP.	470UF 16V M
C608	VE-30000325	SMD CAP.	33NF 50V K
C610	VE-30000131	MKP CAP.	100NF 250V J
C611	VE-30014422	MKP CAP.	7.2NF 1.6KV 3.5%
C612	VE-30000356	EL CAP.	100UF 63V M
C617	VE-30000156	MKP CAP.	430NF 250V J
C618	VE-30000394	EL CAP.	3.3UF 160V M
C625	VE-30000315	SMD CAP.	220NF 25V Z
C632	VE-30016086	EL CAP.	1000UF 25V 105°
C650	VE-30000280	SMD CAP.	820PF 50V J
C660	VE-30009208	CER CAP.	470PF 1KV K (PULSE)
C661	VE-30009208	CER CAP.	470PF 1KV K (PULSE)
C700	VE-30000190	CER CAP.	100PF 50V J CH
C702	VE-30000356	EL CAP.	100UF 63V M
C704	VE-30016085	EL CAP.	10UF 63V 105°
C705	VE-30000071	MKT CAP.	10NF 63V J
C706	VE-30000092	MKT CAP.	220NF 63V J
C707	VE-30000090	MKT CAP.	22NF 100V J
C708	VE-30000284	SMD CAP.	1NF 50V K R
C709	VE-30000294	SMD CAP.	100NF 50V K
C715	VE-30000284	SMD CAP.	1NF 50V K R
△ C801	VE-30000084	MKT CAP.	150NF 275V M AC P=15
△ C802	VE-30000084	MKT CAP.	150NF 275V M AC P=15
C803	VE-30000189	SMD CAP.	100PF 50V J
C804	VE-30000420	EL CAP.	150UF 400V M
C806	VE-30000342	CER CAP.	820PF 50V K B
C807	VE-30000074	MKT CAP.	100NF 63V J
C808	VE-30000284	SMD CAP.	1NF 50V K R
C809	VE-30000284	SMD CAP.	1NF 50V K R
C811	VE-30000161	MKP CAP.	47NF 630V J
C813	VE-30000411	EL CAP.	4700UF 16V M
C814	VE-30000294	SMD CAP.	100NF 50V K
C816	VE-30000295	CER CAP.	100NF 50V Z F
C817	VE-30000359	EL CAP.	1000UF 16V M
C819	VE-30000295	CER CAP.	100NF 50V Z F
C821	VE-30013533	CER CAP.	100PF 1KV K (PULSE)
C822	VE-30000295	CER CAP.	100NF 50V Z F
C823	VE-30000383	EL CAP.	2200UF 25V M
C824	VE-30013533	CER CAP.	100PF 1KV K (PULSE)
C826	VE-30000383	EL CAP.	2200UF 25V M
C827	VE-30013533	CER CAP.	100PF 1KV K (PULSE)
C828	VE-30000359	EL CAP.	1000UF 16V M
C829	VE-30000406	EL CAP.	47UF 250V M (HR)
C830	VE-30000295	CER CAP.	100NF 50V Z F
C831	VE-30000198	CER CAP.	120PF 500V J SL
C832	VE-30000294	SMD CAP.	100NF 50V K
C8325	VE-30000295	CER CAP.	100NF 50V Z F
C833	VE-30007308	CER CAP.	220PF 1KV K (PULSE)
C835	VE-30007308	CER CAP.	220PF 1KV K (PULSE)
C845	VE-30000375	EL CAP.	220UF 16V M
C846	VE-30000433	CER CAP.	1NF 1KV M B
C847	VE-30000375	EL CAP.	220UF 16V M
C848	VE-30000353	EL CAP.	100UF 25V M
C850	VE-30000433	CER CAP.	1NF 1KV M B
C851	VE-30000433	CER CAP.	1NF 1KV M B
C852	VE-30000433	CER CAP.	1NF 1KV M B
C853	VE-30000289	SMD CAP.	10NF 50V K R
C854	VE-30008805	MKT CAP.	39NF 63V J
C855	VE-30000284	SMD CAP.	1NF 50V K R
△ C860	VE-30000440	CER CAP.	2.2NF 4KV M
C865	VE-30000440	CER CAP.	2.2NF 4KV M
C890	VE-30000396	EL CAP.	47UF 16V M
C891	VE-30000335	CER CAP.	47NF 50V Z F
C892	VE-30000295	CER CAP.	100NF 50V Z F
COIL			
L001	VE-30002016	FIXED COIL	150UH Q60 K
L002	VE-30010964	FERRITE BEAT	
L050	VE-30002015	FIXED COIL	150UH Q50 K (RAD)
L051	VE-30002015	FIXED COIL	150UH Q50 K (RAD)
L054	VE-30010964	FERRITE BEAT	

△ Symbol No.	Part No.	Part Name	Description
COIL			
L201	VE-30001979	FIXED COIL	1UH Q45 M-A
L202	VE-30010964	FERRITE BEAT	
L301	VE-30001987	FIXED COIL	4.7UH Q70 K-A
L302	VE-30001987	FIXED COIL	4.7UH Q70 K-A
L303	VE-30001987	FIXED COIL	4.7UH Q70 K-A
L304	VE-30001986	FIXED COIL	3.3UH Q65 K
L306	VE-30002002	FIXED COIL	47UH Q60 K
L307	VE-30002002	FIXED COIL	47UH Q60 K
L308	VE-30002002	FIXED COIL	47UH Q60 K
L309	VE-30002002	FIXED COIL	47UH Q60 K
L402	VE-30001986	FIXED COIL	3.3UH Q65 K
L403	VE-30001990	FIXED COIL	6.8UH Q75 K
L405	VE-30001992	FIXED COIL	10UH Q65 K-A
L406	VE-30001992	FIXED COIL	10UH Q65 K-A
L407	VE-30001992	FIXED COIL	10UH Q65 K-A
L408	VE-30001979	FIXED COIL	1UH Q45 M-A
L502	VE-30001992	FIXED COIL	10UH Q65 K-A
L504	VE-30001992	FIXED COIL	10UH Q65 K-A
L505	VE-30001992	FIXED COIL	10UH Q65 K-A
L506	VE-30001992	FIXED COIL	10UH Q65 K-A
L507	VE-30001992	FIXED COIL	10UH Q65 K-A
L603	VE-30002149	LINEARITY COIL	50UH (06-06A)
L605	VE-30001999	FIXED COIL	40UH (LOSS COIL)
L801	VE-30001984	FIXED COIL	2.2UH Q55 M-AX
L803	VE-30002011	COIL	CHOKE 150UH 0.82A RAD
DIODE			
D100	VE-30001284	DIODE	
D201	VE-30001284	DIODE	
D301	VE-30001369	DIODE ZENER	
D302	VE-30001284	DIODE	
D408	VE-30001347	DIODE ZENER	
D409	VE-30001284	DIODE	
D410	VE-30001284	DIODE	
D420	VE-30001285	DIODE	
D500	VE-30012412	DIODE ZENER	
D503	VE-30001284	DIODE	
D504	VE-30001284	DIODE	
D505	VE-30012412	DIODE ZENER	
D509	VE-30001284	DIODE	
D555	VE-30001285	DIODE	
D583	VE-30001284	DIODE	
D601	VE-30001318	DIODE	
D602	VE-30001285	DIODE	
D603	VE-30001284	DIODE	
D604	VE-30001377	DIODE ZENER	
D605	VE-30001318	DIODE	
D606	VE-30001318	DIODE	
D607	VE-30001285	DIODE	
D608	VE-30001284	DIODE	
D609	VE-30001318	DIODE	
D701	VE-30001284	DIODE	
D801	VE-30001329	DIODE	
D802	VE-30001329	DIODE	
D803	VE-30001329	DIODE	
D804	VE-30001329	DIODE	
D805	VE-30001318	DIODE	
D807	VE-30001318	DIODE	
D811	VE-30001315	DIODE	
D812	VE-30001315	DIODE	
D813	VE-30001288	DIODE	
D814	VE-30001307	DIODE	
D815	VE-30001307	DIODE	
D816	VE-30007681	DIODE	
D818	VE-30001318	DIODE	
D819	VE-30001346	DIODE ZENER	
D823	VE-30001284	DIODE	
D826	VE-30001318	DIODE	
D827	VE-30001318	DIODE	
D858	VE-30001371	DIODE ZENER	
D864	VE-30001285	DIODE	
D890	VE-30001284	DIODE	

[AV21BT7EES / AV21BT7EEB]

△ Symbol No.	Part No.	Part Name	Description
TRANSISTOR			
Q055	VE-30001454	TR	
Q100	VE-30001454	TR	
Q301	VE-30001455	TR	
Q402	VE-30001454	TR	
Q406	VE-30001454	TR	
Q407	VE-30001454	TR	
Q415	VE-30001454	TR	
Q418	VE-30001454	TR	
Q420	VE-30001454	TR	
Q503	VE-30001455	TR	
Q512	VE-30001455	TR	
Q514	VE-30001454	TR	
Q515	VE-30001454	TR	
Q516	VE-30001454	TR	
Q517	VE-30001454	TR	
Q518	VE-30001454	TR	
Q521	VE-30001454	TR	
Q522	VE-30001454	TR	
Q601	VE-30001455	TR	
Q604	VE-30001435	TR	
Q605	VE-30001440	TR	
Q701	VE-30001455	TR	
Q702	VE-30001454	TR	
Q802	VE-20073673	HE. ASY. 19-SMPS 90° 170-270V (PLASTIK) JVC	
Q805	VE-30001454	TR	
Q806	VE-30001454	TR	
Q807	VE-30001454	TR	
Q809	VE-30001506	IC	
Q810	VE-30001384	TR	
Q890	VE-30001428	TR	

IC

IC050	VE-30001619	IC	
IC100	VE-30001525	IC	
IC301	VE-30001664	IC	
IC307	VE-30001455	IC	
IC401	VE-30001575	IC	
IC501	VE-20075294	IC (MYCOM)	
IC502	VE-20073417	IC (MEMORY)	
IC701	VE-30001561	IC	
△ IC801	VE-30007069	IC	
IC802	VE-30001499	IC	
IC804	VE-20058533	IC	
IC805	VE-30001500	IC	
IC807	VE-30001622	IC	

OTHERS

△ F801	VE-20000848	FUSE ASSY. TK79-A (2.5A)	
J129	VE-30001997	FIXED COIL	33UH Q60 J
J314	VE-20051395	MD. ASY. PR19Y-11PR19Y (PROTECTION CIR.) 90°	
J500	VE-30010964	FERRITE BEAT	
LD501	VE-30001279	LED	RED/GREEN
MD501	VE-30001670	PREAMPLIFIER	
SW501	VE-30002178	SWITCH TACT SKHHLU	
SW502	VE-30002178	SWITCH TACT SKHHLU	
SW503	VE-30002178	SWITCH TACT SKHHLU	
SW504	VE-30002178	SWITCH TACT SKHHLU	
SW505	VE-30002178	SWITCH TACT SKHHLU	
△ SW801	VE-30002175	SWITCH ON/OFF	2.5A/100A
△ TH801	VE-30001268	THERMISTOR 3P	
TR601	VE-30002090	LINE DRIVER	
△ TR602	VE-30002826	TRF FBT	
△ TR801	VE-30002100	LINE FILTER	
△ TR802	VE-30002083	TRF SMPS AK19 90° (170-270V)	
TU201	VE-30009637	TUNER WSP (PLL) 38.9 MK2 - BATCH	
VL301	VE-30002037	ADJ COIL	
X301	VE-30001756	XTAL	
X401	VE-30001748	XTAL	
X404	VE-30001745	XTAL	
X501	VE-30006662	XTAL 6MHZ	
Z209	VE-30001728	TRIPLE TRAP	
Z301	VE-30001706	FILTER SAW	
Z302	VE-30001692	FILTER SAW	
Z401	VE-30001695	FILTER SAW	

MULTI SOUND P.W. BOARD ASS'Y (VE-20078991)

Refer to PARTS LIST in page 23 for this P.W. board.

CRT SOCKET P.W. BOARD ASS'Y (VE-20074437)

Refer to PARTS LIST in page 24 for this P.W. board.

FRONT AV P.W. BOARD ASS'Y (VE-20076582)

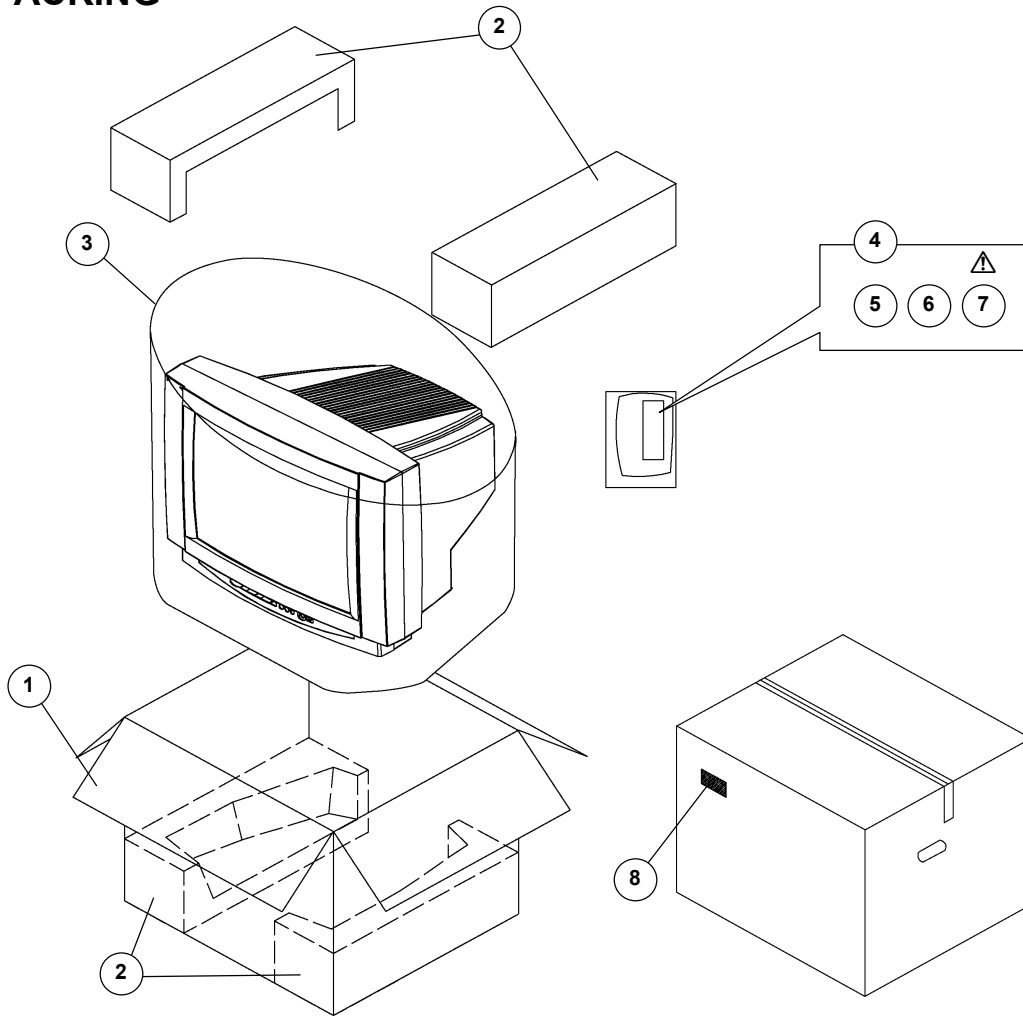
Refer to PARTS LIST in page 24 for this P.W. board.

HEAD PHONE P.W. BOARD ASS'Y (VE-20075217)

Refer to PARTS LIST in page 24 for this P.W. board.

AV21BT7ENS / AV21BT7ENB
 AV21BT7EPS / AV21BT7EPB
 AV21BT7EES / AV21BT7EEB

PACKING



PACKING PARTS LIST

△ Ref.No.	Part No.	Part Name	Description
1	VE-20074161	F CARTON BOX	(AV21BT7ENS)
1	VE-20074151	F CARTON BOX	(AV21BT7ENB)
1	VE-20074143	F CARTON BOX	(AV21BT7EPS)
1	VE-20074010	F CARTON BOX	(AV21BT7EPB)
1	VE-20074130	F CARTON BOX	(AV21BT7EES)
1	VE-20074127	F CARTON BOX	(AV21BT7EEB)
2	VE-2056237 / 39	CUSHION ASS'Y	4pcs in 1set
3	VE-50020732	POLY BAG	
4	VE-70000010	POLY BAG	
5	RM-C85	REMOTE CONTROL UNIT	
6	BT-54013-2TK	WARRANTY CARD	
△ 7	VE-50021021	INST BOOK	(AV21BT7ENS/ENB)
△ 7	VE-50021022	INST BOOK	(AV21BT7EPS/EPB)
△ 7	VE-50021020	INST BOOK	(AV21BT7EES/EEB)
8	VE-20074158	LABEL	(AV21BT7ENS)
8	VE-20074150	LABEL	(AV21BT7ENB)
8	VE-20074142	LABEL	(AV21BT7EPS)
8	VE-20077009	LABEL	(AV21BT7EPB)
8	VE-20074129	LABEL	(AV21BT7EES)
8	VE-20074126	LABEL	(AV21BT7EEB)

JVC

VICTOR COMPANY OF JAPAN, LIMITED

HOME AV NETWORK BUSINESS UNIT 12, 3-chome, Moriya-cho, Kanagawa-ku, Yokohama, Kanagawa-prefecture, 221-8528, Japan